

WELCOME  
TO FIRST CLASS

# SINCE 1996, WE LIKE TO BE FIRST

Sirius S.p.a., established in 1996, operates in the market sector of residential air ventilation and purification, in particular it produces cooker hoods for residential kitchens.

Quality, innovation, professional competence, technology and design are rolled into one with a clear and dynamic commercial policy that has permitted a rapid growth of the company, ensuring market penetration throughout the world.

Sirius has, in a short time, become a world leader in the sector of high quality decorative cooker hoods, encompassing a wide product range and exporting 90% of its production.

The strategic choices accomplished in the technical productivity sectors, dictated by many years of experience, have been of fundamental importance for the growth and success of the company.

A wide range of products, different technological possibilities and innovation, functionality of the components used, such as the motors, and different ventilation components represent a combination between design and functionality.

This gives the clients a wide choice, to meet all of their ventilation needs. Our company's philosophy, innovative in the market of residential kitchen ventilation, aims to maintain and improve the high quality standards of our production in style, technology and design, which are synthesized by the realization of modular and innovative ventilation systems.



- 1997 the FIRST one to use the aluminum motor
- 2005 the FIRST one to market the downdraft hood
- 2007 the FIRST one to market the ceiling hood
- 2014 the FIRST one to create range hoods in ceramic
- 2019 the FIRST one to market a new concept of ceiling hoods
- 2022 the FIRST one to create autonomous and automatic range hoods

## DESIGN & TECHNOLOGY



### MANAGE YOUR RANGE HOOD WITH YOUR SMARTPHONE THROUGH SIRIUS APP

Interact and control your range hood, in a fast and efficient manner, even remotely.

Our new technology replaces and widens the functionalities of traditional controls.

Easy and intuitive to use, it allows adjusting lighting and suction power and, in some specific models, it can even monitor and detect air quality.

Sirius App sets up automatically according to the technical and functional specifications of the purchased model.

Its technology alerts the user if a maintenance action is required (e.g. replacement of filters).

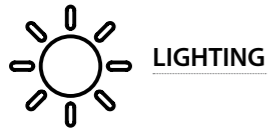


### MANAGE YOUR RANGE HOOD THROUGH THE VOCAL ASSISTANTS GOOGLE HOME OR ALEXA

Turn your range hood on and select the suction speed, then think only about the pleasure of cooking.

Manage the lighting, choose the color temperature you prefer, from hot to cold light, increase or reduce its intensity.





The latest generation LEDs in our range hoods allow to manage light intensity by increasing or decreasing its power and choose colour temperature from warm to cold light (from 2700°K to 6500°K), thus adapting hood lighting to the light of your domestic environment.

The lighting surface in our lighting system is perfectly homogeneous since there are no overshadows.



6500°K ..... 2700°K



High suction efficiency

Using a brushless motor allows to lower the consumption (kw/h) by 85% when the appliance is used in the low – medium speeds and by 35% in high speeds.

**Quietness**

This is the quietest motor in the market and its performances remain stable in any given use condition, even with complicated installations.

**Longer life of the product**



ENERGY SAVING



**High efficiency carbon filters** allow a higher filtering efficiency compared to standard carbon grain filters. These filters are made of a mold of foam in polyurethane, having activated carbon spheres in it and allowing high permeability of the air compared to normal carbon grain filters. At the same time, they allow the highest absorption of smells thanks to their top quality activated carbon.

The advantages of using a high efficiency carbon filter, instead of a typical carbon filter, are:

**Higher filtering efficiency**

Smaller losses during air filtration

**Long lasting**

To restore / regenerate high efficiency and washable filters it is necessary to wash them in the dishwasher and then put them for 1 hour into the oven at max 90°C.

**EFFICIENCY** is measured by the absorption capacity of the filter related to its weight. If the filter weight is 100g, an efficiency of 98.8 means that it can absorb 98.8g of greases.

**LIFESPAN** we took into account a standard use of 1 hour/day at medium speed level.

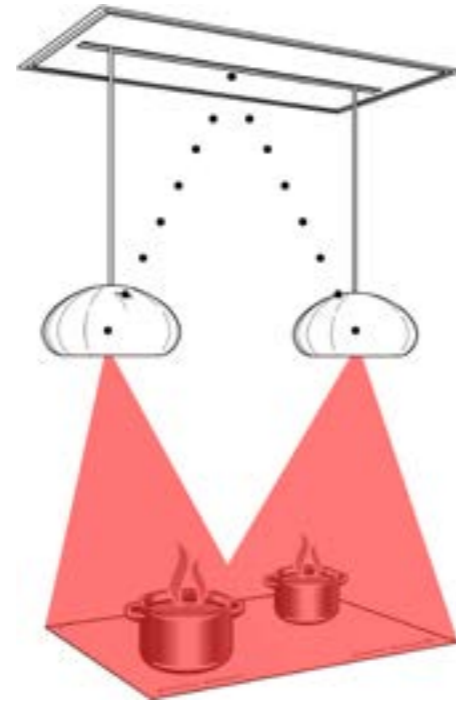


## ARTIFICIAL INTELLIGENCE SYSTEM - AIS

This innovative system, patented by Sirius, is made up of sensors and technologically advanced electronic devices working in synergy.

As you start cooking, the range hood autonomously activates and adjusts the suction power, by detecting constantly both the temperature and air quality while cooking.

This innovative technology allows an autonomous and automatic operation of products and is completely independent from the kind of hob you use (gas, induction, etc.).



## BI-POWER TECHNOLOGY

Sirius bi-power technology allows to get a high energy saving and a higher product efficiency, especially in range hoods in filtering version or range hoods installed in ducting version with ducts having diameters less than 150 mm.

The range hood is equipped with a 800 m<sup>3</sup>/h fan. Through this innovative technology and touch control, you can set the parameters of power capacity (m<sup>3</sup>/h), absorption (W) and noise level (dBA).

This means an improvement in terms of efficiency thanks to an airflow suitable for the application (filtering or ducts having diameters less than 150 mm), an energy saving of about 35% and a noise level reduction of about 12%.



ENERGY  
CONSUMPTION 35 %



NOISE LEVEL  
REDUCTION -12 %

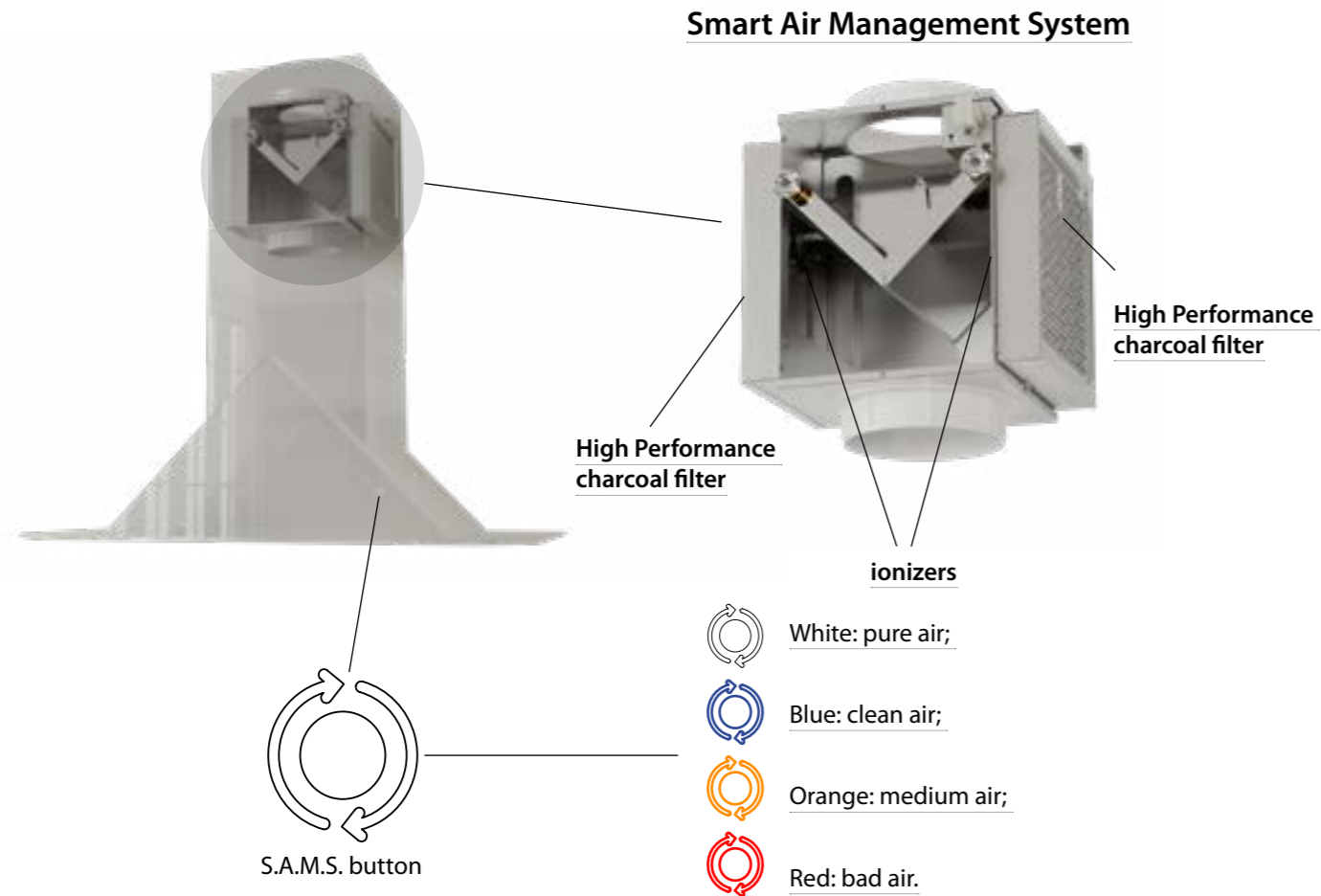


## ANTI-DROP SYSTEM



This is an innovative anti-condensation system, based on thermal resistances inside the glass panels or the stainless steel panels. By heating the surface in contact with the vapours coming from the induction hob, this system does not allow condensation or water drops to develop and fall on the hob.

Sirius range hood is equipped with an **air purification system** inside the upper chimney. This system is made up of an air quality sensor, 2 ionizers and a valve activated by a micromotor, allowing to exhaust fumes outside (ducting version) or towards charcoal filters and side ionizers (filtering version).

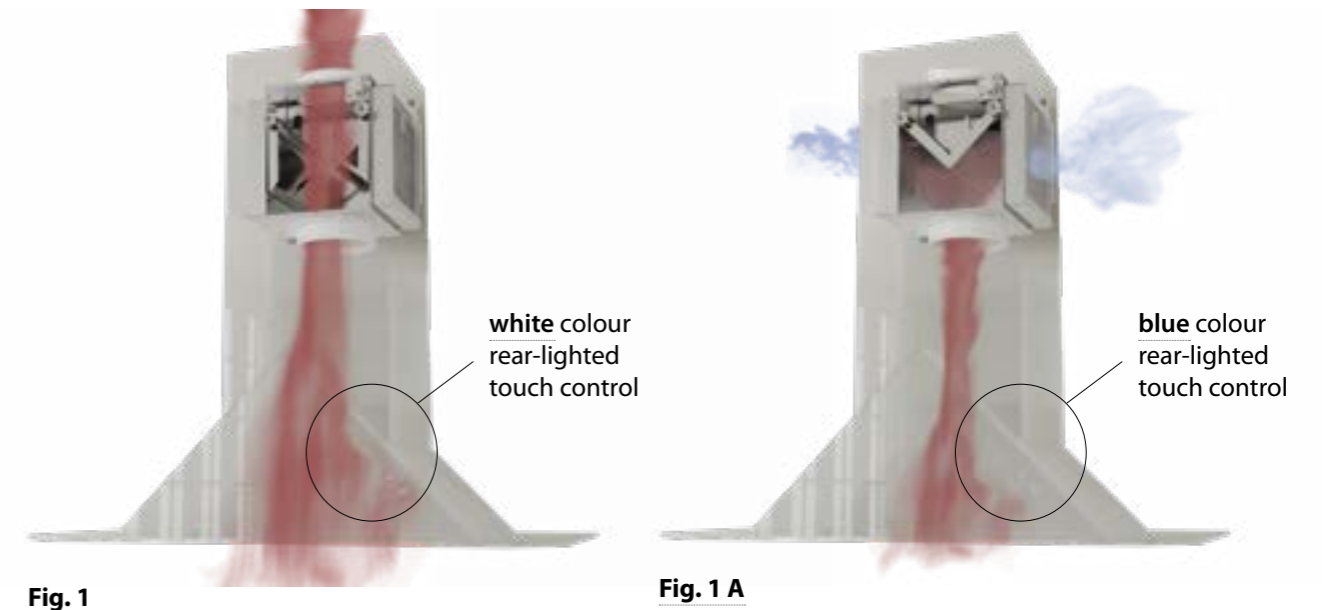


This range hood is equipped with a new Touch control having a S.A.M.S. button, indicating always the air quality through the color variation:

White: clean air; Blue: good air; Orange: medium air; Red: bad air.

By pressing the button "S.A.M.S.", you can change the version of the hood from ducting (open valve and air exhausted outside) to filtering and purifying (closed valve; fumes go out through the side grills of the chimney; the air returns to the kitchen once filtered and purified thanks to high efficiency charcoal filters and ionizers).

The **Smart Air Management System** is usually set in ducting version (Fig.1). The valve is open and fumes go outside through a ducting system. After installation, the product works as a standard range hood, with a white colour rear-lighted touch control.



After or while cooking, if the button (S.A.M.S) highlights a bad air quality, you can activate the Smart Air Management system by pressing this button (Fig.1A). The backlight of the touch control changes from white to blue colour. The valve closes, the ionizers start functioning and the air returns to the kitchen through the chimney side grills.

The process of filtration and air purification takes place through 2 High Performance charcoal filters and 2 ionizers. You can keep on using all the product functions as usual (change in speed, lights, etc). You can activate this new system even when the product is switched off, in case of bad quality air.

By pressing the button "S.A.M.S.", the range hood sets in filtering mode with motor at 1st speed. You can permanently set the Smart Air Management function during installation. You just have to hold down the button "S.A.M.S" for at least 3 seconds in order to set the product in ducting or filtering version.



### **THE PASSION OF CONCEIVING AND FINDING INNOVATIVE DESIGN SOLUTIONS**

The aesthetics of the products and the corporate image are entrusted with the architect Giacomo Fava, who explains Sirius philosophy this way: "Our mission is to imagine products that connect with the end user on an emotional and functional level. The creative approach entails a deep analysis of materials, technologies and human behaviors, with the aim to create objects that are simple, beautiful, clear, easy to use and long - lasting: objects with which you can fall in love. At the core of every single project there is a long work, that sees the tight cooperation and synergy between the company and all the entities involved in the production process, to create a good product which is introduced in the market at the right moment".





# INDEX

## CERAMIC HANDMADE



ICON / P. 25



DUNE / P. 26



DERUTA / P. 29



HIVE / P. 30



LINK / P. 32

## DOWNDRAFT



STONE / P. 37



BALANCE / P. 39



SUNRISE / P. 40



ESSENCE / P. 42



MIDDLE / P. 44



PUSH UP / P. 46



SDD2 L TC / P. 49



SDD2 L / P. 51

INSTALLATION  
SCHEMES  
DOWNDRAFT  
P. 52

## CEILING HOODS



INSIDE OUT / P. 64



KITE LIGHT / P. 75



HALO LIGHT / P. 84



SCREEN / P. 91



ATMOS / P. 97



SUPERNOVA / P. 66  
SUPERNOVA AUTOMATIC P. 69



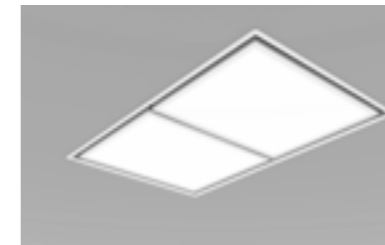
KITE / P. 77



HALO / P. 87



FRAME / P. 93



ZENDRA / P. 99



SUPERNOVA LAMP / P. 71



LINE / P. 81



ORIGAMI / P. 89



LESS / P. 95



SLT 958 / P. 101





# INDEX

## DECORATIVE ISLAND



NEMESI / P. 104



SYMPHONY / P. 108



ROLL / P. 110



SKINNY / P. 131



JEEG / P. 132



SLTC 92 / P. 134



SILT 30 / P. 111



SIL 24 TC / P. 112



SIL 24 / P. 113



SL 92 / P. 135



SL 107 / P.136



SLTC 107 / P.137



MO 404 / P. 114



MO 405 / P. 115



SL 90 TC / P.138



SL 91 TC / P.139



SL109 / P. 140

## WALL HOODS



ARROW / P. 119



TIKAL / P. 121



FLAT / P. 122



SL 31 / P. 141



SL 89 / P. 142



MO 207 / P. 143



RADAR / P. 124



SLTC 119 / P. 126



APPLIQUE / P. 129



MO 208 / P. 144



# INDEX

## BUILT-IN PRODUCTS



WING / **P. 149**



SL 906 L / **P. 150**



SL 909 / **P. 151**



SLTC 928 / **P. 152**



SM 927 / **P.155**



SL 913 / **P.156**



SL 903 P / **P. 157**



SM 923-L / **P.158**



SM 905 / **P. 159**



SM-SL 900 / **P. 160**



SL 907 / **P. 161**

## VENTED INDUCTION HOBS



SYNTHESIS / **P. 165**



SENSE / **P. 166**



SHADOW / **P. 169**



SDDH1 / **P. 170**

INSTALLATION  
SCHEMES  
VENTED INDUCTION HOBS  
**P. 172**

## REMOTE MOTORS / **P. 176**

- SEM1
- SEM 2
- SEM 5
- SEM 7 BRH
- SEM 8
- SEM 9 BRH
- SEM 10
- SEM 12 BRH

## ACCESSORIES / **P.178**

## ENERGY DATA LABEL / **P. 179**

CERAMIC HANDMADE





Ceramic is an extraordinary material. Among the natural ones, it's the material that offers most versatility. Various methods of manufacturing allow many different applications. You can find it in the most diverse contexts: in a high school classroom, where students shape clay using a press during art classes or in the most technological and advanced implementations, such as the coverings of the Space Shuttle.

Though originating from the plain mixing of water and clay, it has the most resistant physical features.

Extraordinary objects have been carved out of this material: from Jo Ponti and Raymond Loewy's porcelains to the creations of the most influencing Italian design master, Ettore Sottsass.

In spite of its limitless potential, ceramic has always been considered as a material belonging to the world of arts, rather than industry. Apart from bathrooms, there are only few examples of ceramic applications for the production of industrial goods.

The curiosity of experimenting new languages in a pretty industrial field - as the one of electric appliances is - pushed us forward. It drew us to cross the border between art, handcraft and industry.

Thanks to the cooperation of professional figures coming from different fields such as, industrial designers, craftsmen, engineers and technical designers, we gave life to objects with a technological soul. Though being produced in series, they maintain that authenticity typical of the unique piece.



# ICON SILT 35

**Motor on board:**

600 m3/h  
230W  
63dBA

**Lighting:**

Dimmable and dynamic round Led 6W  
(2700 to 6500°K)

**Control panel:**

Remote control

**Filter:**

Stainless Steel and anodized aluminum  
Washable carbon filter KF31

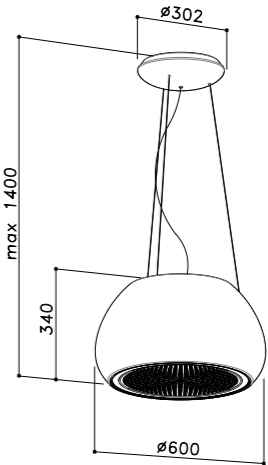
**Material:**

Handmade ceramic

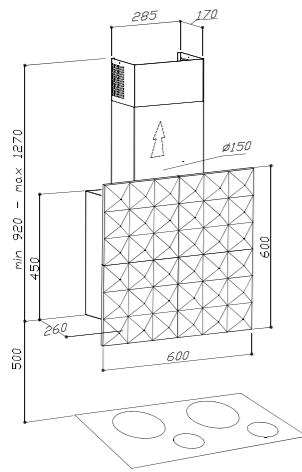
**Finishing:**

White/Black matt

Only filtering version



## DUNE SL116



### **Motor on board:**

Top or back vented

### **Lighting:**

3,75W Dimmable and dynamic Led bar (2700 to 6500°K)

### **Control panel:**

Chromed 4 speeds push-button+light switch+timer

### **Filter:**

Anodized aluminum (5+1 layers)

### **Material:**

Stainless Steel, handmade ceramic

### **Finishing:**

Matt black or matt white painted front panel

product dim. motor model identifier EEC  
SL116 600 on-board P116060PB1364022 A

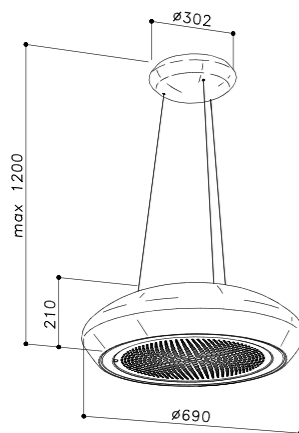




DERUTA LAMP



DERUTA RANGE HOOD



**Motor on board:**

550 m3/h

110W

68dBA

**Lighting:**

Dimmable and dynamic round Led 7,5W  
(2700 to 6500°K)

**Control panel:**

Remote control

**Filter:**

Stainless Steel and anodized aluminum

Washable carbon filter KF38

**Material:**

Handmade ceramic

**Finishing:**

Gold/Copper/White

Only filtering version

Available in lamp version

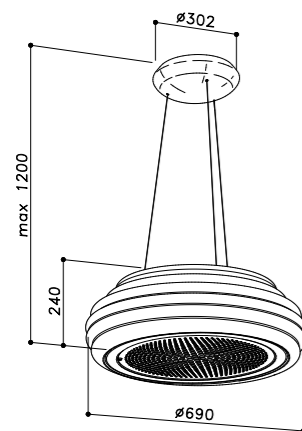
**Lighting:**

round neon 82W

DERUTA SILT 26



## HIVE SILT 27



### **Motor on board:**

550 m<sup>3</sup>/h

110 W

68 dBA

### **Lighting:**

Dimmable and dynamic round Led 7,5W  
(2700 to 6500°K)

### **Control panel:**

Remote control

### **Grease filter:**

Stainless Steel and anodized aluminum  
Washable carbon filter KF38

### **Material:**

Handmade ceramic

### **Finishing:**

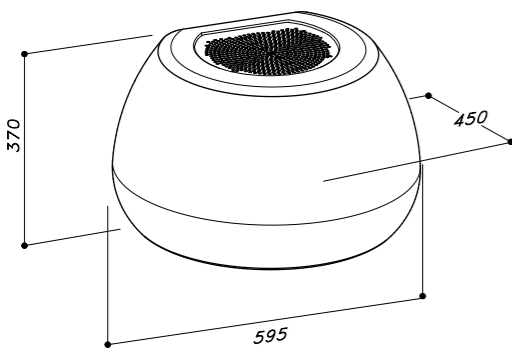
Copper/White

Only filtering version





## LINK SLT 106



### **Motor on board:**

600 m<sup>3</sup>/h

230W

65dBA

### **Lighting:**

3,75W Dimmable and dynamic Led bar (2700 to 6500°K)

### **Control panel:**

Remote control

### **Grease filter:**

Stainless Steel and anodized aluminum

Washable carbon filter KF40

### **Material:**

Handmade ceramic

### **Finishing:**

Gold/Copper/Matt Black/White

Only filtering version



DOWNDRAFT



**Motor:**

available with motor on board or external motor (to be purchased separately)

**Lighting:**

1x5W Led strip (835mm version)

1x9W Led strip (1135mm version)

**Control:**

Touch control 4 speeds+timer+light

**Filter:**

Anodized aluminum (4+1 layers)

**Material:**

Stainless steel AISI304

**Cut out:**

Create a niche in the countertop using the following dimensions

100x837mm (835mm version)

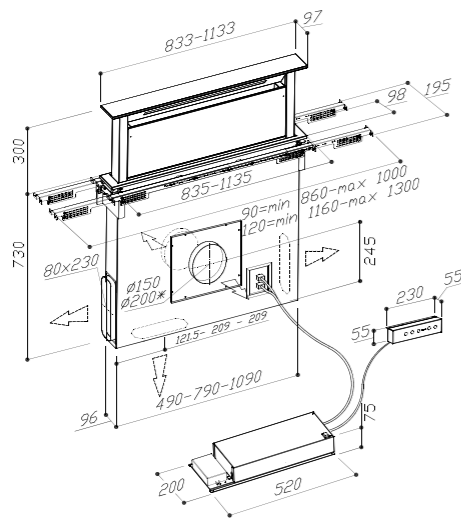
100x1137mm (1135mm version)

**Anti-crushing safety system**

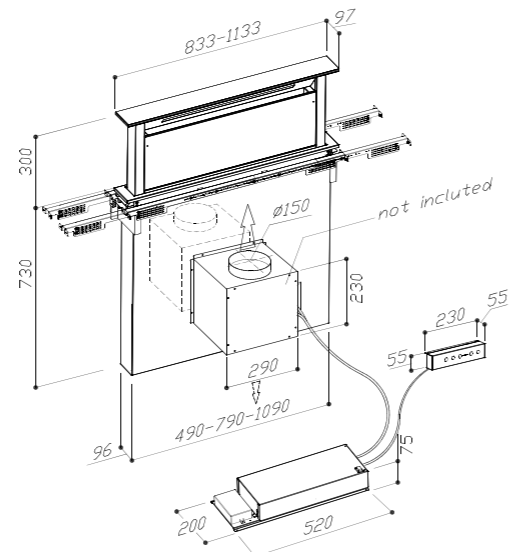
**Stone** allows to customise the cover with the same material of the worktop, thus obtaining a flush top effect

product	dim.	motor	model identifier	EEC
STONE	835	on-board	D002088PB1282415	A
STONE EM	835	SEM1	D002088PB1292415	B
STONE EM	835	SEM2	D002088PB1152415	C
STONE EM	835	SEM8	D002088PB1172415	C
STONE EM	835	SEM10	D002088PB1302415	C
STONE EM	835	SEM12	D002088PB1312415	A
STONE	1135	on-board	D002118PB1282717	A
STONE EM	1135	SEM1	D002118PB1292717	A
STONE EM	1135	SEM2	D002118PB1152717	C
STONE EM	1135	SEM8	D002118PB1172717	B
STONE EM	1135	SEM10	D002118PB1302717	C

**STONE**



external motor



motor on board



**Motor:**  
available with motor on board or external motor  
(to be purchased separately)

**Lighting:**

Led strip 5W

**Control panel:**

Touch control 4 speeds+light switch+timer

**Filter:**

Aluminum anodized (5+1 layers) with integrated  
oil collector

**Material:**

Polished stainless steel and glass

**Finishing:**

Black

White

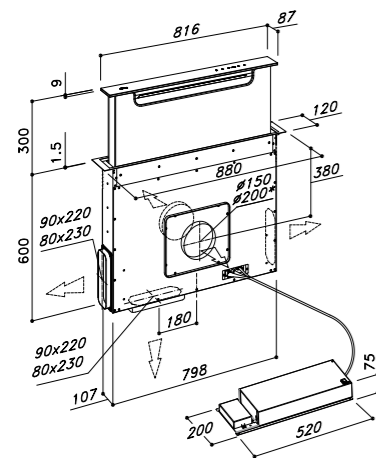
**Anti-crushing safety system**

**Cut out:**

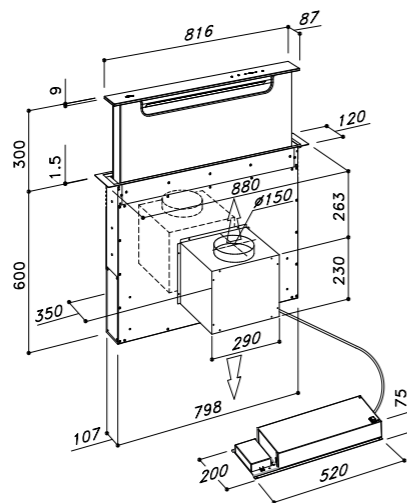
Create a niche in the countertop using the  
following dimensions:

108x826 mm

**BALANCE S DD 18**



external motor



motor on board



filter with oil collector

product	dim.	motor	model identifier	EEC
S-DD18	880	on-board	D018088TC1282472	A
S-DD18 EM	880	SEM1	D018088TC1292472	A
S-DD18 EM	880	SEM2	D018088TC1152472	C
S-DD18 EM	880	SEM8	D018088TC1172472	B
S-DD18 EM	880	SEM10	D018088TC1302472	B
BRH S-DD18 EM	880	SEM12	D018088TC1312472	A

## SUNRISE S DD 13

### Motor:

available with motor on board or external motor  
(to be purchased separately)

### Lighting:

led strip 9,5W

### Control panel:

Remote control 4 speeds+light switch+timer

### Filter:

Polished stainless steel and anodized aluminum  
filter

### Material:

Stainless Steel/Aluminum/Glass

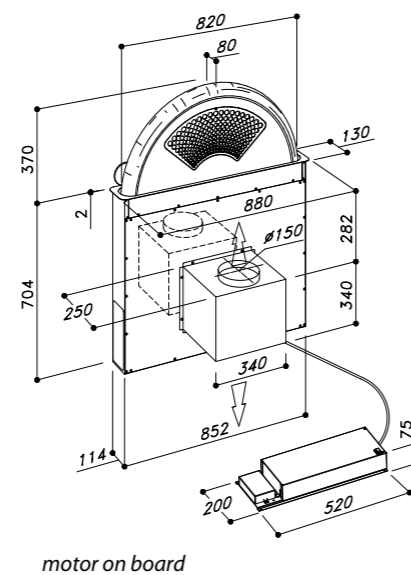
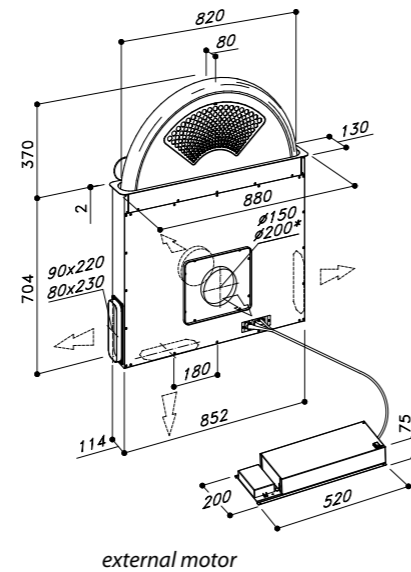
### Finishing:

Black

### Cut out:

Create a niche in the countertop using the  
following dimensions:  
115x850mm

### Anti-crushing safety system



product	dim. motor	model identifier	EEC
S-DD13	880 on-board	D013088TC1283163 A	
S-DD13 EM	880 SEM1	D013088TC1293163 A	
S-DD13 EM	880 SEM2	D013088TC1153163 B	
S-DD13 EM	880 SEM8	D013088TC1173163 C	
S-DD13 EM	880 SEM10	D013088TC1303163 C	



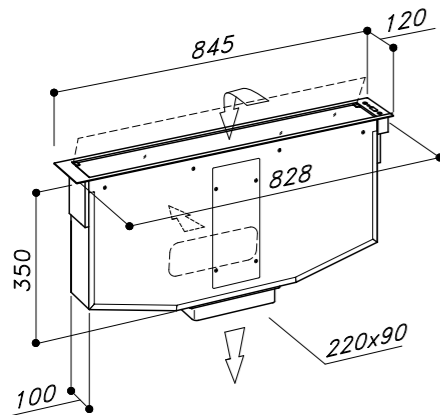
## ESSENCE S DD 16



- Motor:**  
external motor (to be purchased separately)
- Control panel:**  
Touch control 4 speeds+timer
- Filter:**  
Anodized aluminium filter with oil collector
- Material:**  
Painted stainless steel and glass
- Frame Finishes:**  
Black  
Stainless steel

- Cut out:**  
Create a niche in the countertop using the following dimensions:  
102x832 mm

- Anti-crushing safety system**  
Suction opening by 45° and 90°



product	dim.	motor	model identifier	EEC
S-DD16 EM 845	SEM1	D016085TC129XX61 A		
S-DD16 EM 845	SEM2	D016085TC115XX61 B		
S-DD16 EM 845	SEM10	D016085TC130XX61 B		
BRH S-DD16 EM 845	SEM12	D016085TC131XX61 B		



## MIDDLE S DD 20



Thickness perfect to match domino hobs (4mm for glass, 1mm for inox)

### **Motor:**

Motor on board (Brushless)

### **Control panel:**

Touch control 4 speeds+timer

### **Filter:**

Anodized aluminum

### **Material:**

Stainless steel and glass

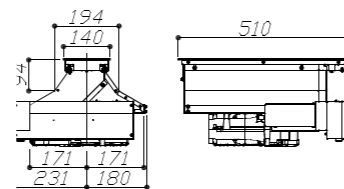
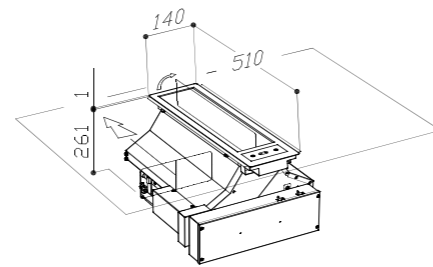
### **Finishing:**

Black ceramic glass frame and black ceramic glass panel

Stainless steel frame and stainless steel panel

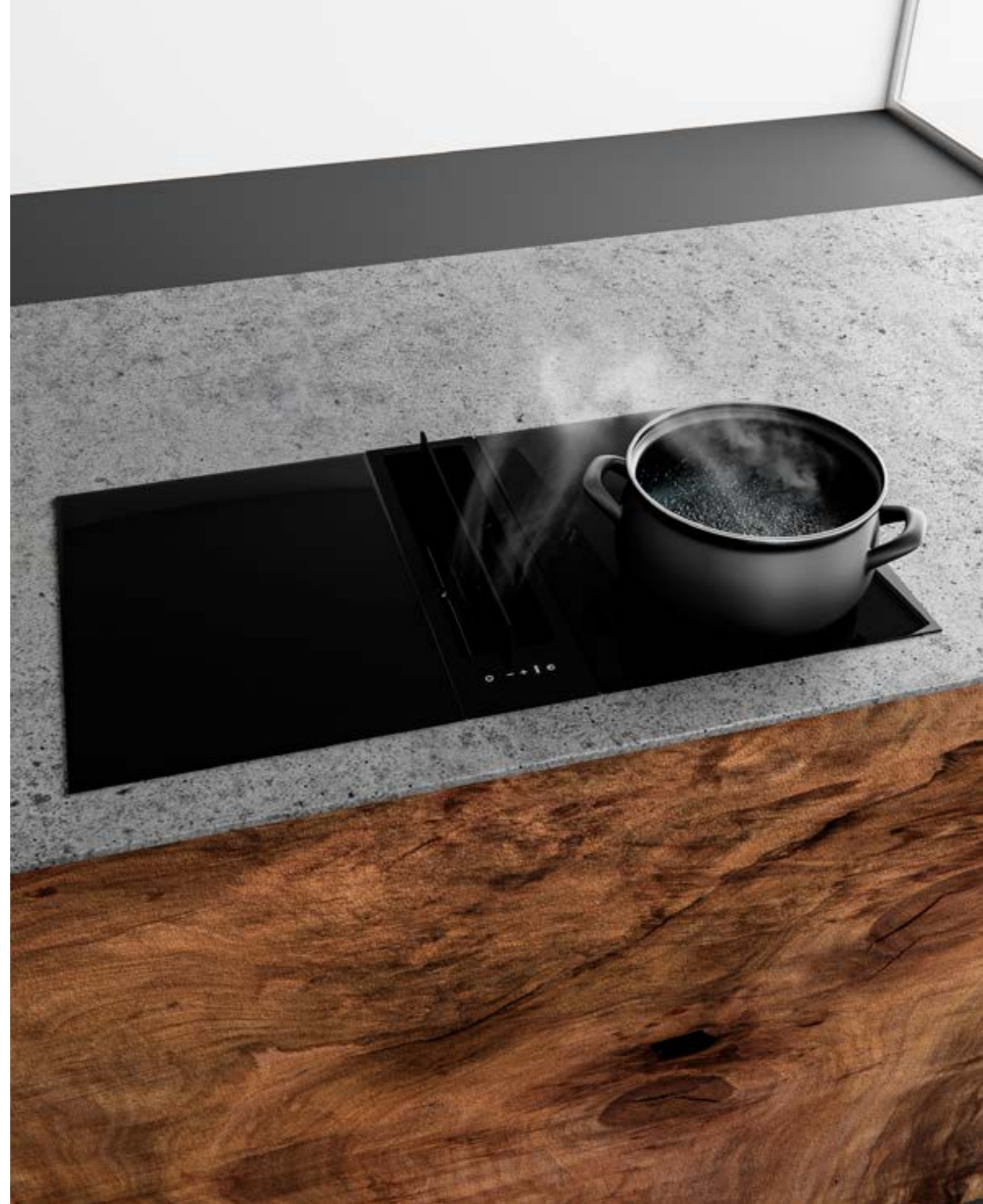
### **Cut out:**

RECTANGULAR OPENING: 490mm x (according to the sizes of the hobs)



### **Anti-crushing safety system**

product	motor	model identifier	EEC
S-DD20 INOX BRHM	on board	D020052TC135XX74	A++
S-DD20 GLASS BRHM	on board	D020052TC135XX74	A++



## PUSH UP S DD 11



### Motor:

available with motor on board or external motor  
(to be purchased separately)

### Lighting:

2x3,9W Strip Led

### Control:

4 speeds push-button+light switch+timer

### Filter:

Polished stainless steel and anodized aluminum

### Material:

Stainless Steel and glass

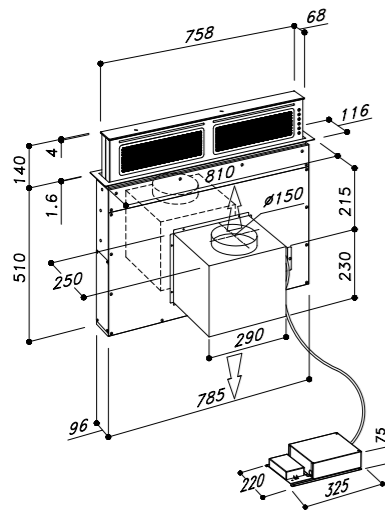
### Finishing:

Black

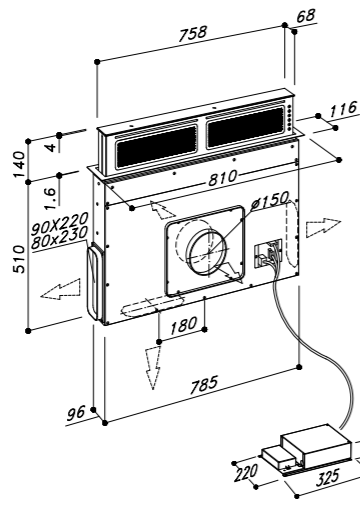
White

### Cut out:

Create a niche using the following dimensions:  
100x790 mm



motor on board



external motor

product	dim. motor	model identifier	EEC
S-DD11 X	810 on-board	D011088PB1282219 B	
S-DD11 EM X	810 SEM1	D011088PB1292219 B	
S-DD11 EM X	810 SEM2	D011088PB1152219 C	
S-DD11 EM X	810 SEM10	D011088PB1302219 C	
BRH S-DD11 EM X	810 SEM12	D011088PB1312219 C	







**Motor:**

available with motor on board or external motor  
(to be purchased separately)

**Lighting:**

- 1x6,5W Led strip (S-DD2-L 575mm version)
- 1x5W Led strip (S-DD2-L 875mm version)
- 1x9W Led strip (S-DD2-L 1175mm version)

**Control panel:**

Touch control 4 speeds+light switch+timer

**Grease filter:**

Anodized aluminum (4+1 layers)

**Material:**

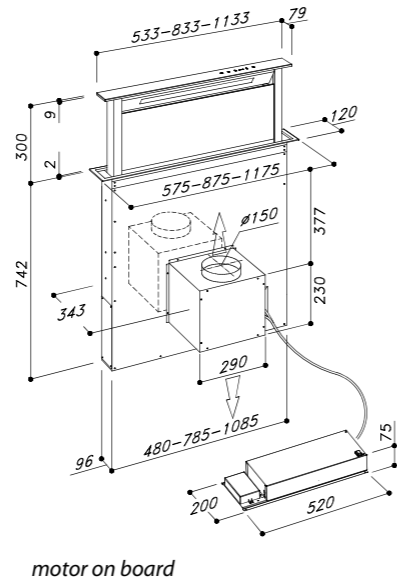
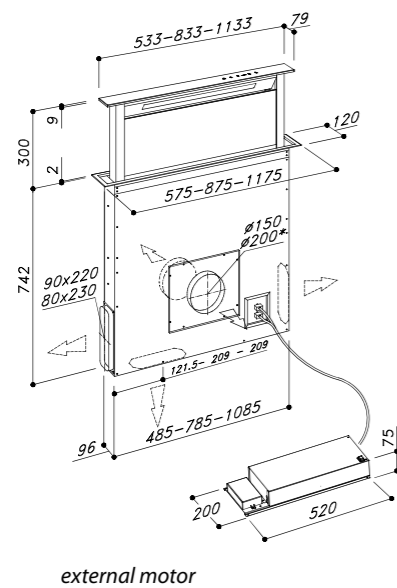
Stainless steel AISI304 and glass

**Cut out:**

Create a niche in the countertop using the following dimensions

- 100x542 mm (S-DD2-L 575mm)
- 100x842 mm (S-DD2-L 875mm)
- 100x1142 mm (S-DD2-L 1175mm)

**Anti-crushing safety system**



**SDD 2 LTC**



product	dim.	motor	model identifier	EEC
SDD2 - L EM 580 TC (LED) 575	575	on-board	D002058TC1280116	B
SDD2 - L EM 580 TC (LED) 575	575	SEM1	D002058TC1290116	B
SDD2 - L EM 580 TC (LED) 575	575	SEM2	D002058TC1150116	C
SDD2 - L EM 580 TC (LED) 575	575	SEM8	D002058TC1170116	C
SDD2 - L EM 580 TC (LED) 575	575	SEM10	D002058TC1300116	C
SDD2-L 880 (LED) TC 875	875	on-board	D002088TC1282415	A
SDD2-EM-L 880 (LED) TC 875	875	SEM1	D002088TC1292415	B
SDD2-EM-L 880 (LED) TC 875	875	SEM2	D002088TC1152415	C
SDD2-EM-L 880 (LED) TC 875	875	SEM7 Ø150	D002088TC1162415	A+
SDD2-EM-L 880 (LED) TC 875	875	SEM7 Ø200	D002088TC1162415	A+
SSDD2-EM-L 880 (LED) TC 875	875	SEM8	D002088TC1172415	C
SDD2-EM-L 880 (LED) TC 875	875	SEM10	D002088TC1302415	C
SDD2-EM-L 880 (LED) TC 875	875	SEM12	D002088TC1312415	A
SDD2-L EM 1200 (LED) TC 1175	1175	on-board	D002118TC1282717	A
SDD2-L EM 1200 (LED) TC 1175	1175	SEM1	D002118TC1292717	A
SDD2-L EM 1200 (LED) TC 1175	1175	SEM2	D002118TC1152717	C
SDD2-L EM 1200 (LED) TC 1175	1175	SEM8	D002118TC1172717	B
SDD2-L EM 1200 (LED) TC 1175	1175	SEM10	D002118TC1302717	C



**Motor:**

available with motor on board or external motor  
(to be purchased separately)

**Lighting:**

- 1x6,5W Led strip (S-DD2-L 575mm version)
- 1x5W Led strip (S-DD2-L 875mm version)
- 1x9W Led strip (S-DD2-L 1175mm version)

**Control panel:**

Touch control 4 speeds + light switch + timer

**Grease filter:**

Anodized aluminum (4+1 layers)

**Material:**

Stainless steel AISI304

**Anti-crushing safety system**

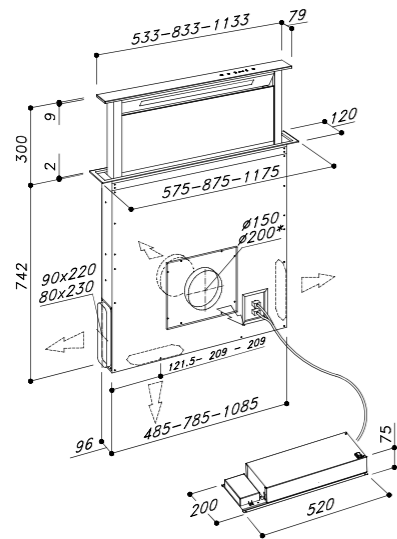
**Cut out:**

Create a niche in the countertop using the following dimensions

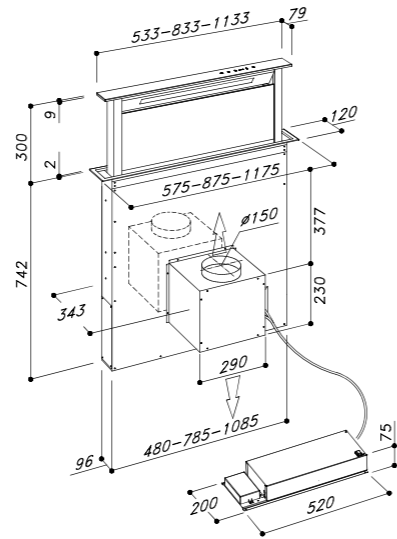
100x542 mm (S-DD2L 575 mm)

100x842 mm (S-DD2L 875 mm)

100x1142 mm (S-DD2L 1175 mm)



external motor



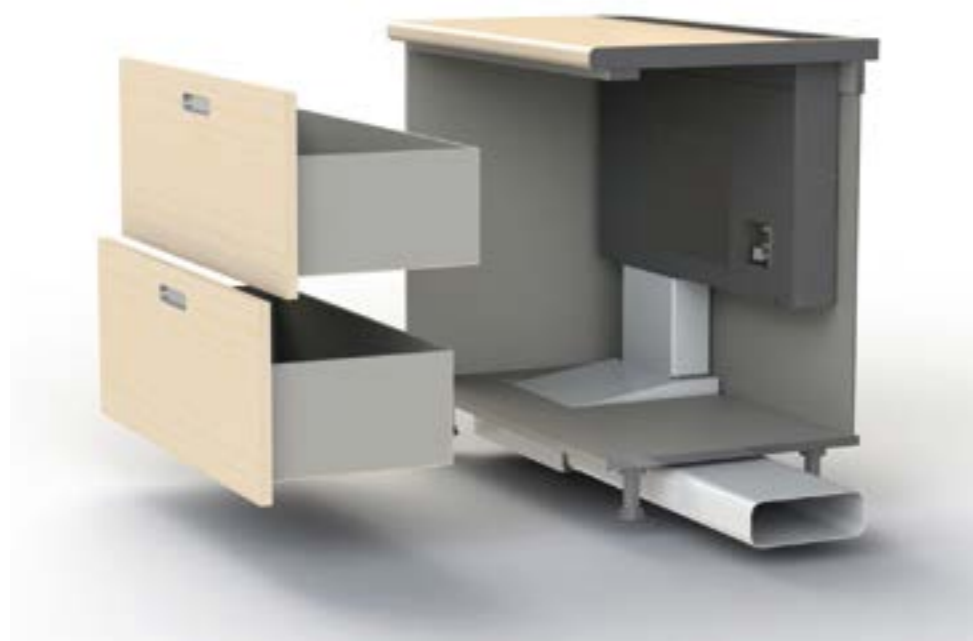
motor on board

**S DD 2 L / INOX**

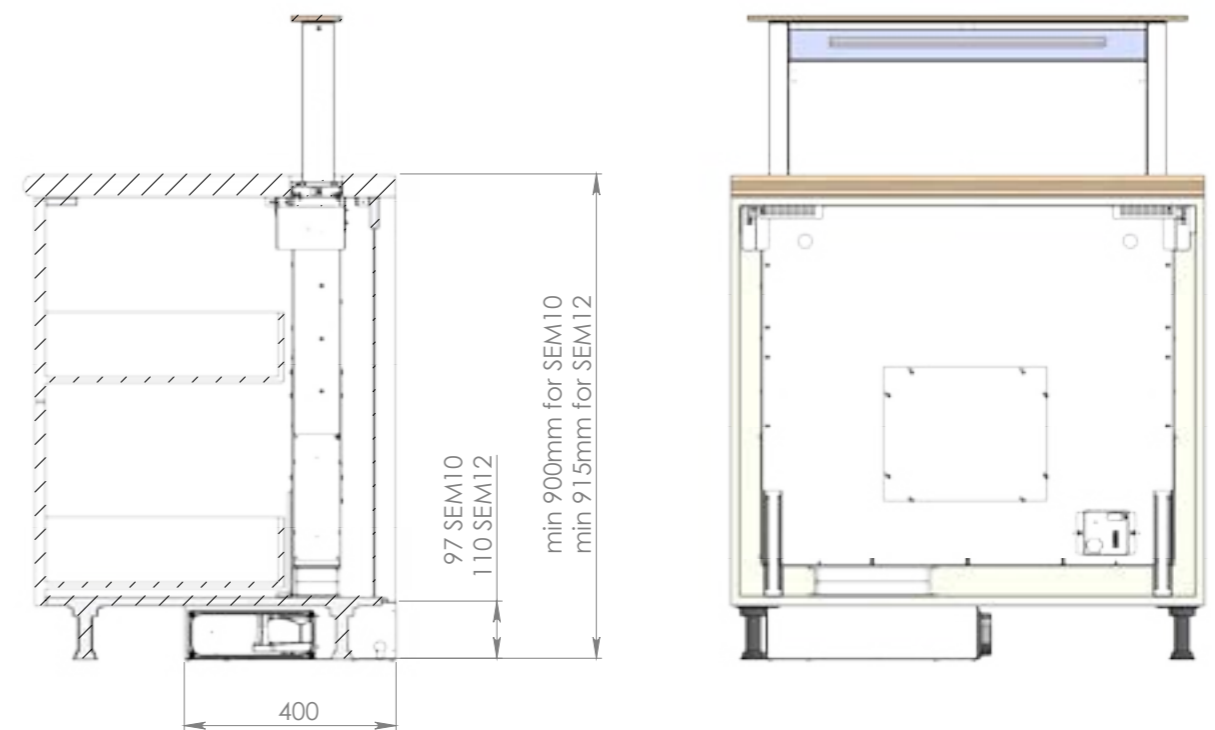
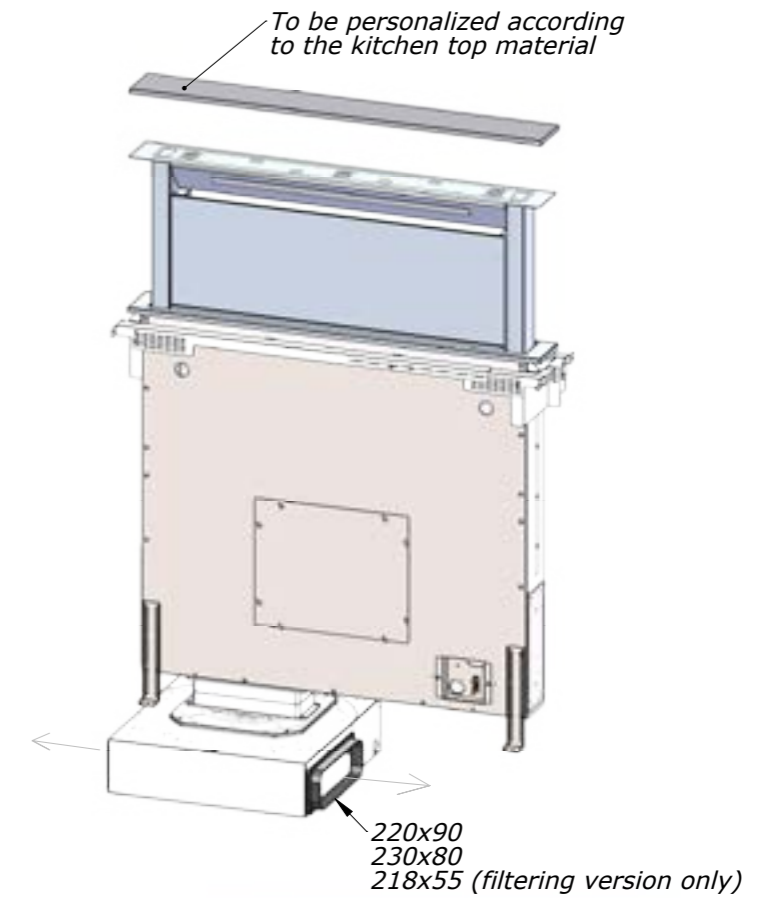


product	dim.	motor	model identifier	EEC
SDD2 - L 580 X (LED)	575	on-board	D002058PB1280116	B
SDD2 - L EM 580 X (LED)	575	SEM1	D002058PB1290116	B
SDD2 - L EM 580 X (LED)	575	SEM2	D002058PB1150116	C
SDD2 - L EM 580 X (LED)	575	SEM8	D002058PB1170116	C
SDD2 - L EM 580 X (LED)	575	SEM10	D002058PB1300116	C
SDD2 - L 880 (LED) X	875	on-board	D002088PB1282415	A
SDD2-EM-L 880 (LED) X	875	SEM1	D002088PB1292415	B
SDD2-EM-L 880 (LED) X	875	SEM2	D002088PB1152415	C
SDD2-EM-L 880 (LED) X	875	SEM7 Ø150	D002088PB1162415	A+
SDD2-EM-L 880 (LED) X	875	SEM7 Ø200	D002088PB1162415	A+
SDD2-EM-L 880 (LED) X	875	SEM8	D002088PB1172415	C
SDD2-EM-L 880 (LED) X	875	SEM10	D002088PB1302415	C
SDD2-EM-L 880 (LED) X	875	SEM12	D002088PB1312415	A
SDD2-L 1200 (LED) X	1175	on-board	D002118PB1282717	A
SDD2-L EM 1200 (LED) X	1175	SEM1	D002118PB1292717	A
SDD2-L EM 1200 (LED) X	1175	SEM2	D002118PB1152717	C
SDD2-L EM 1200 (LED) X	1175	SEM8	D002118PB1172717	B
SDD2-L EM 1200 (LED) X	1175	SEM10	D002118PB1302717	C

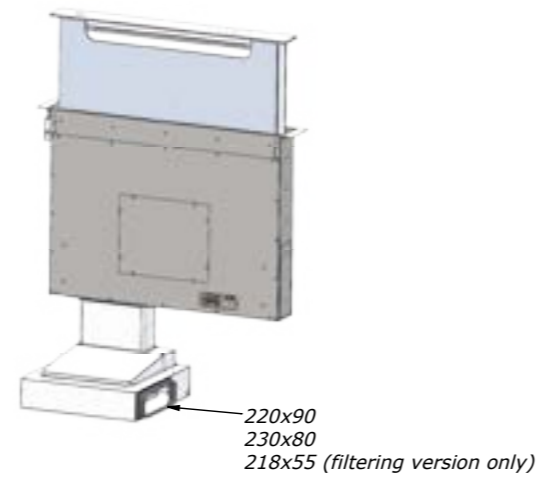
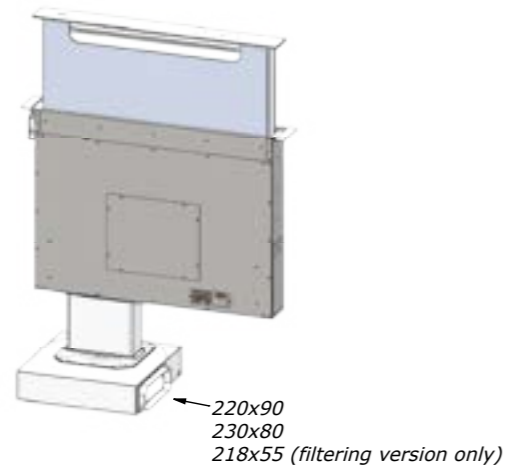
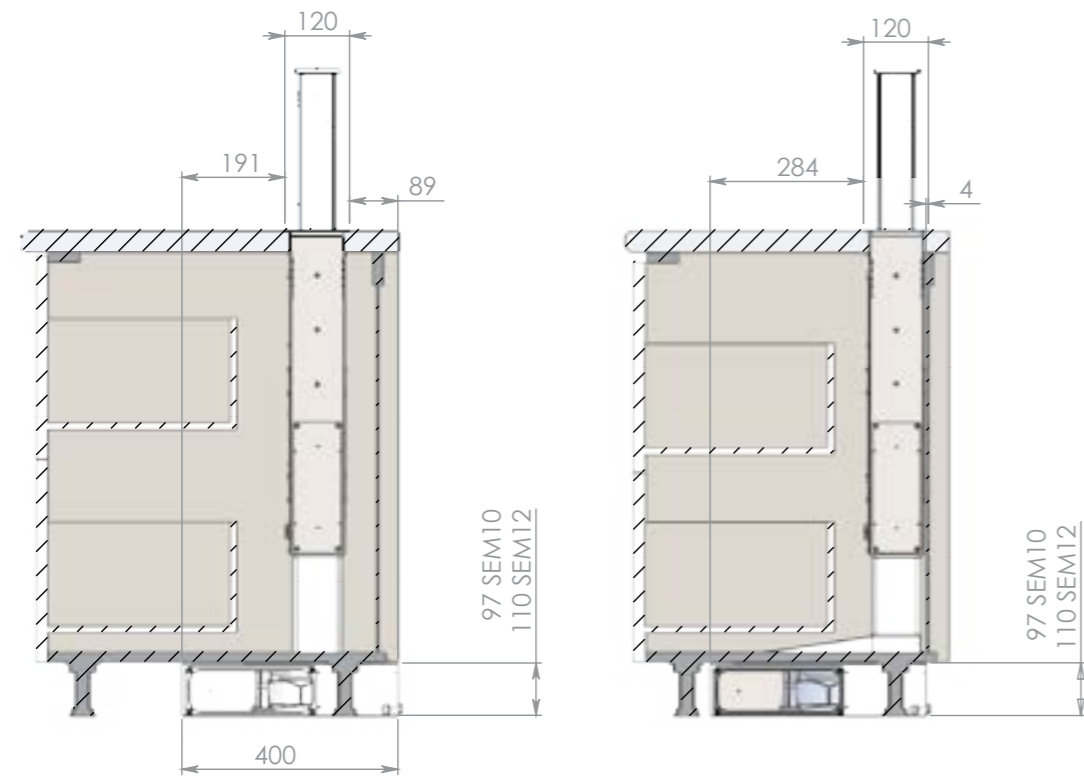
# INSTALLATION SCHEMES



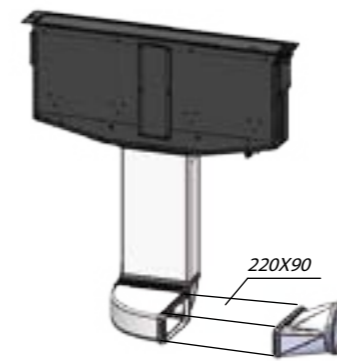
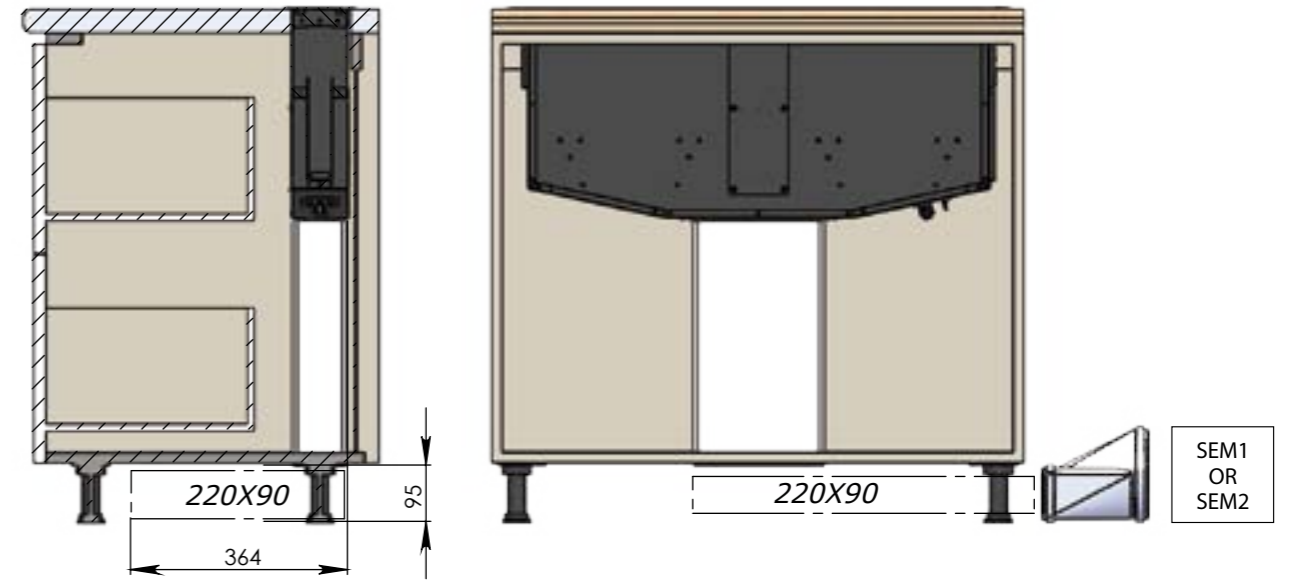
S-DD2 L STONE WITH SEM10  
S-DD2 L STONE WITH SEM12



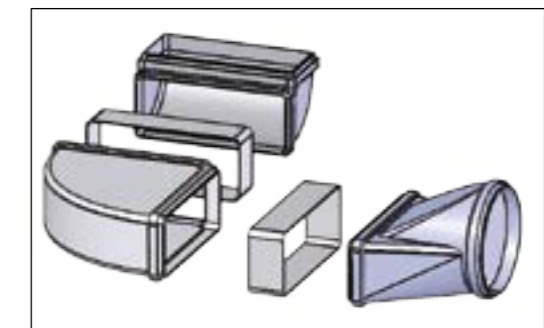
**BALANCE SDD18 WITH SEM 10 - SEM 12**



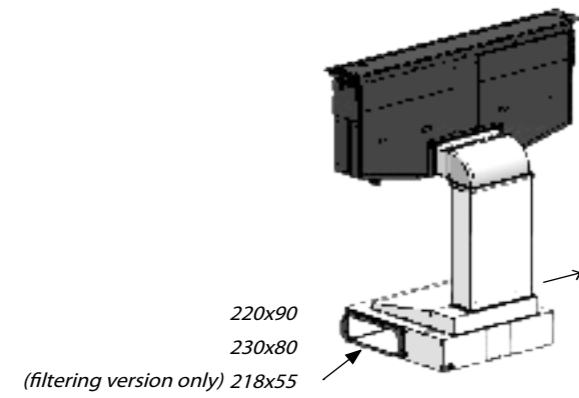
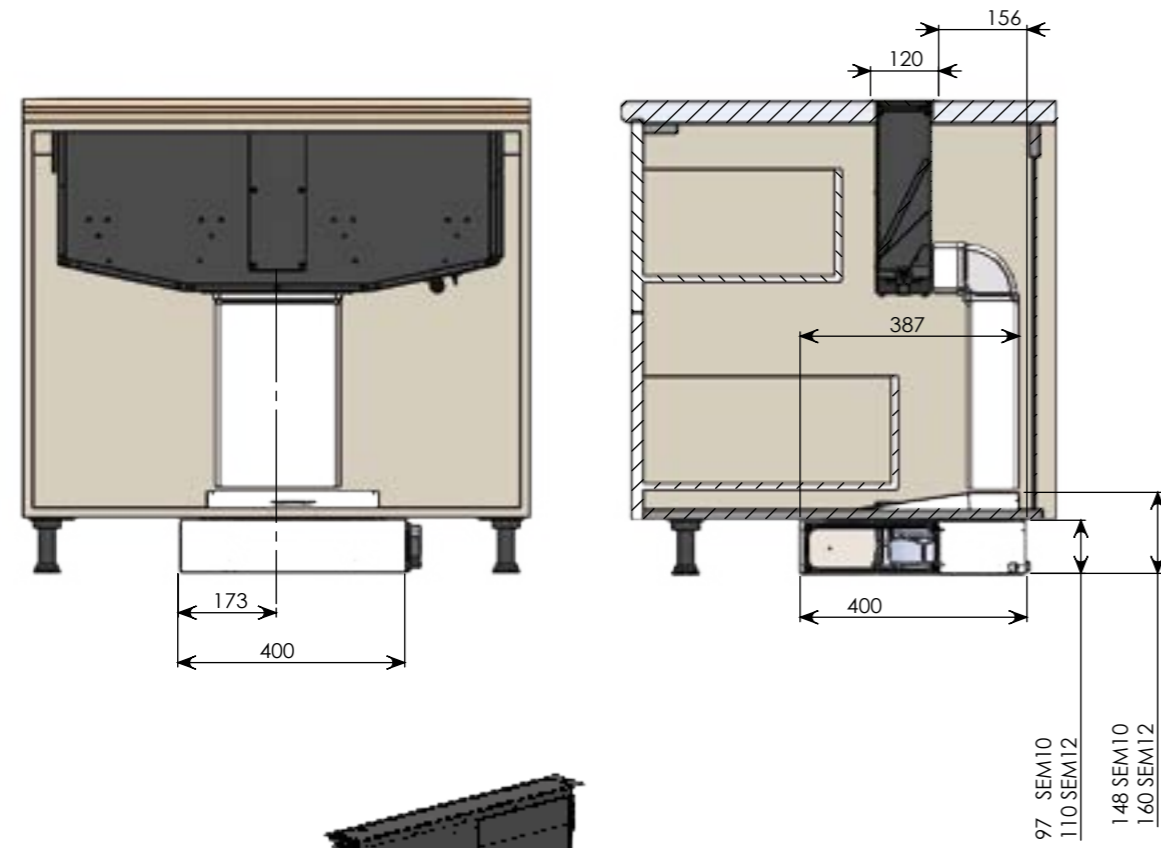
**ESSENCE SDD16 WITH SEM1 OR SEM2 (ALSO BACK OUTLET VERSION)**  
 (USING KIT INSTALLATION SDD16 WITH SEM1 OR SEM2)



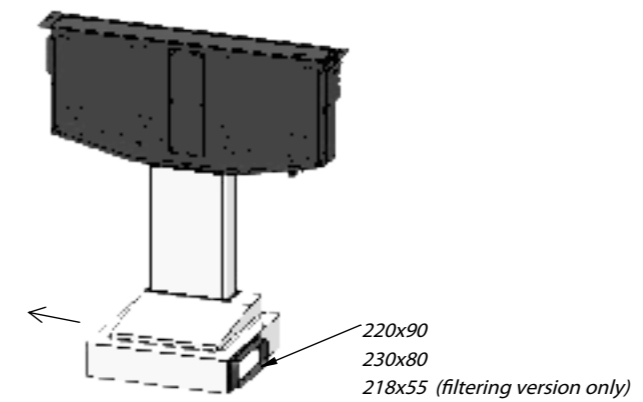
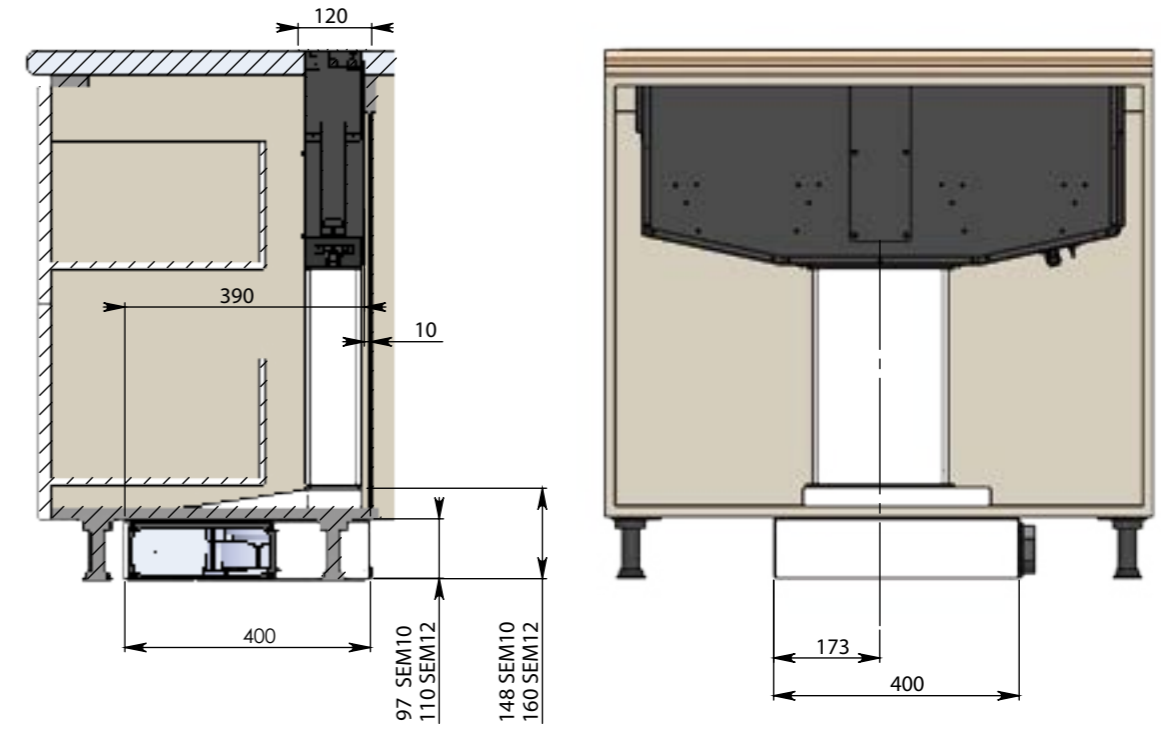
KIT INSTALLATION SDD16 WITH SEM1 OR SEM2



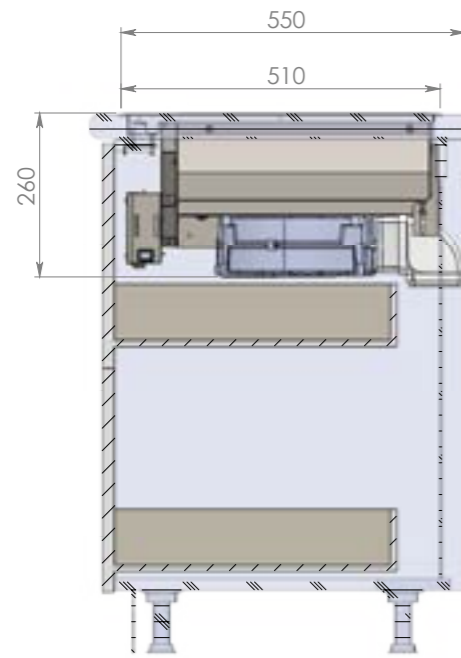
ESSENCE SDD 16 (BACK OUTLET) WITH SEM10 - SEM12



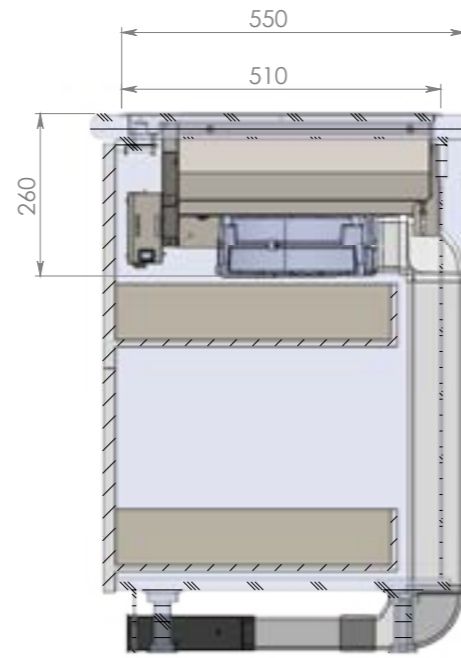
ESSENCE SDD16 WITH SEM10 - SEM12



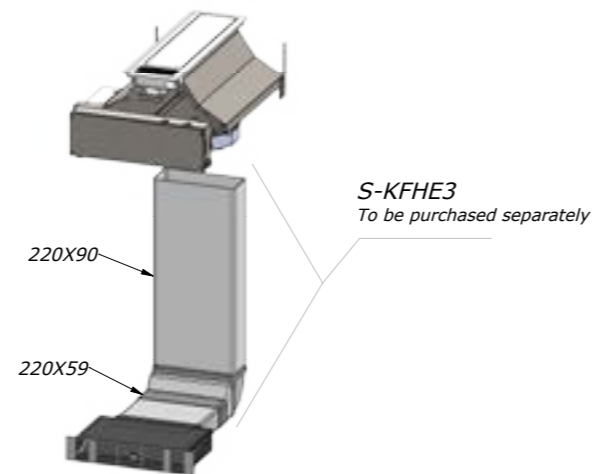
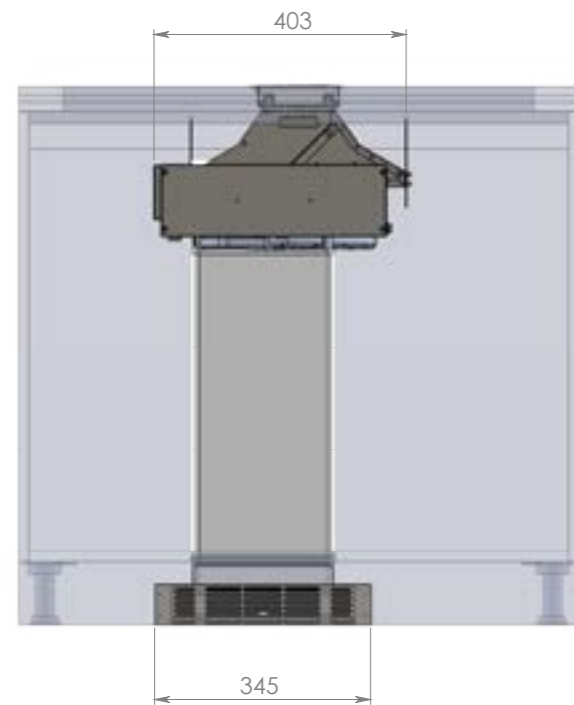
## MIDDLE SDD 20



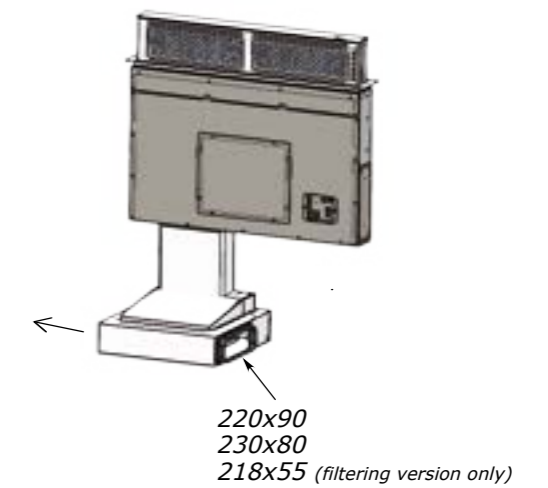
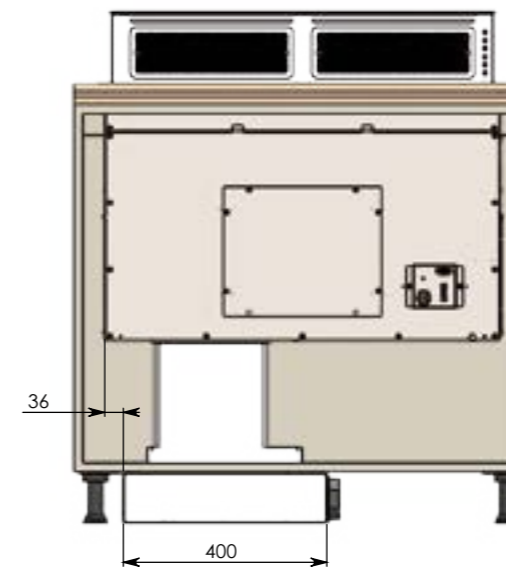
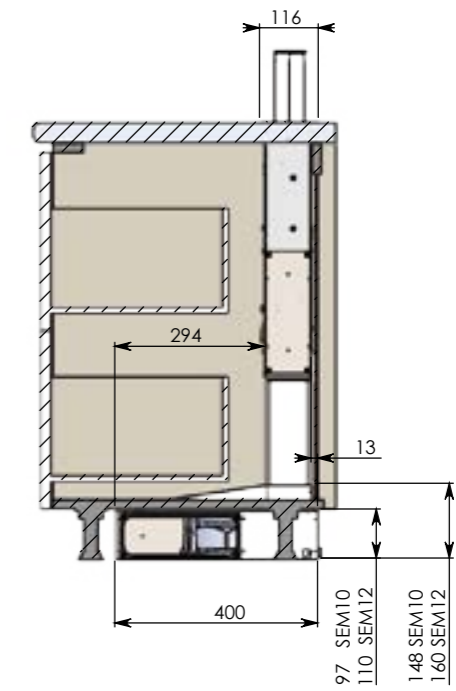
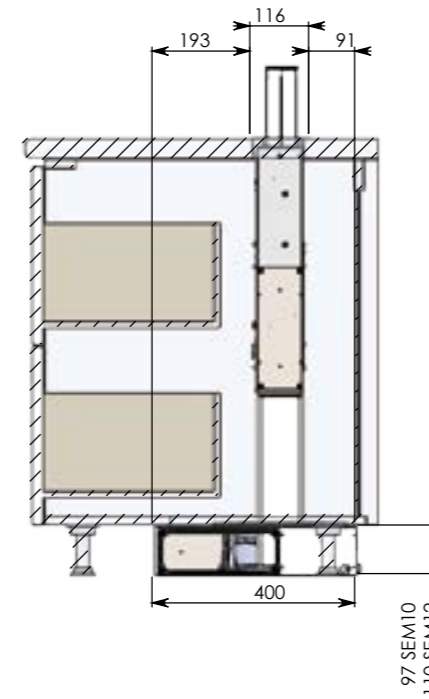
DUCTING VERSION



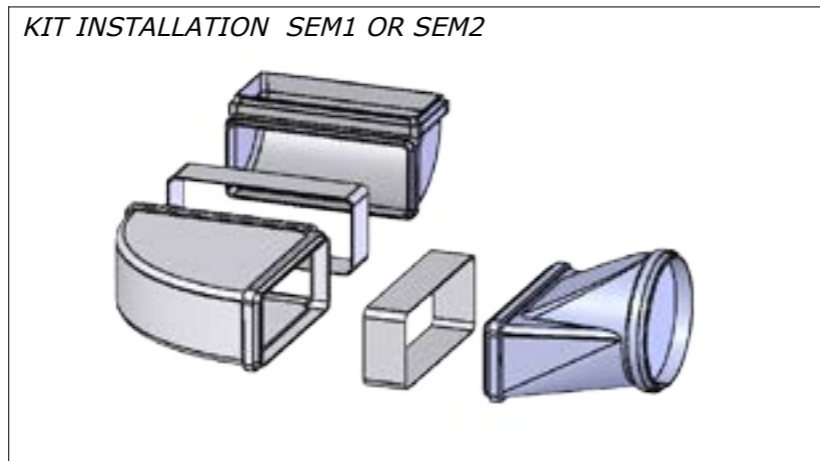
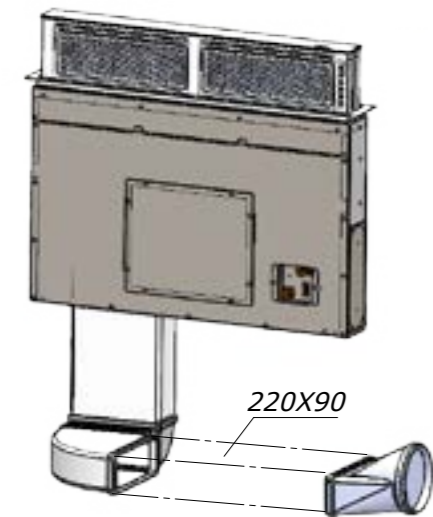
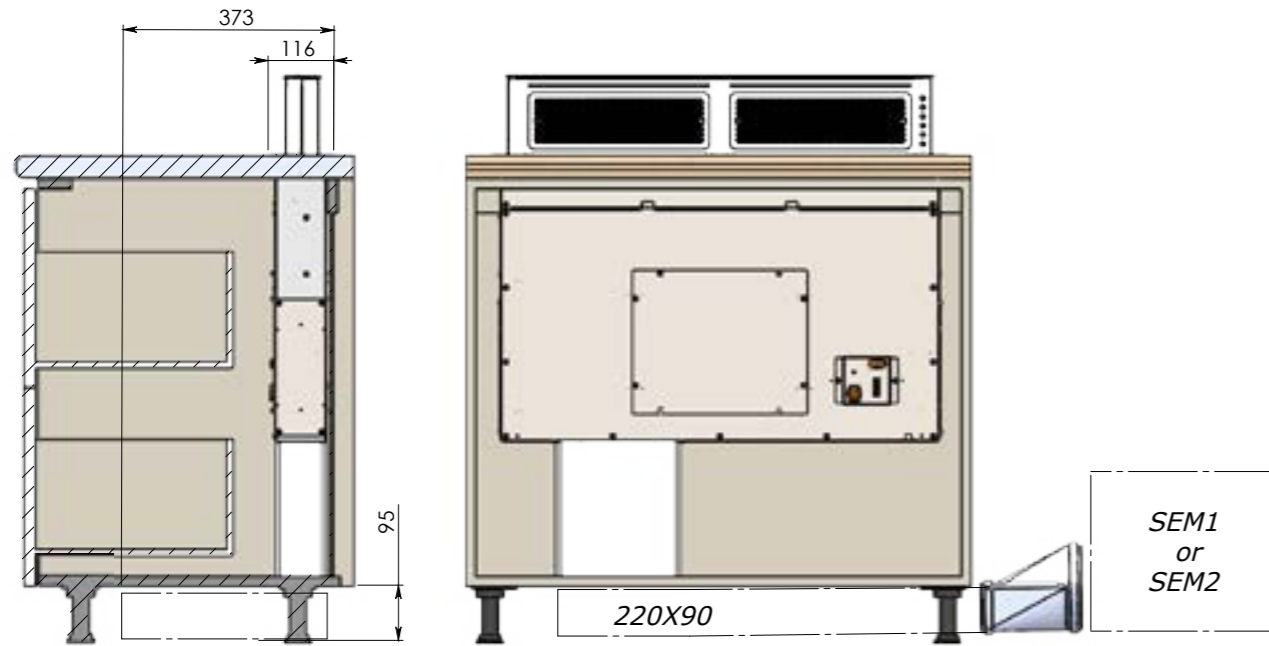
FILTERING VERSION



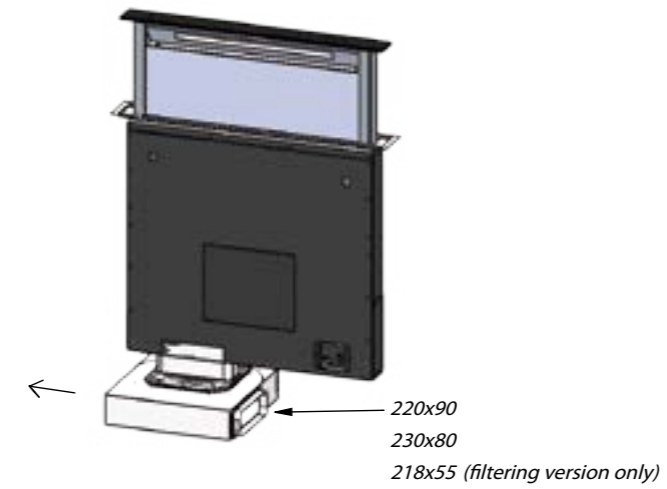
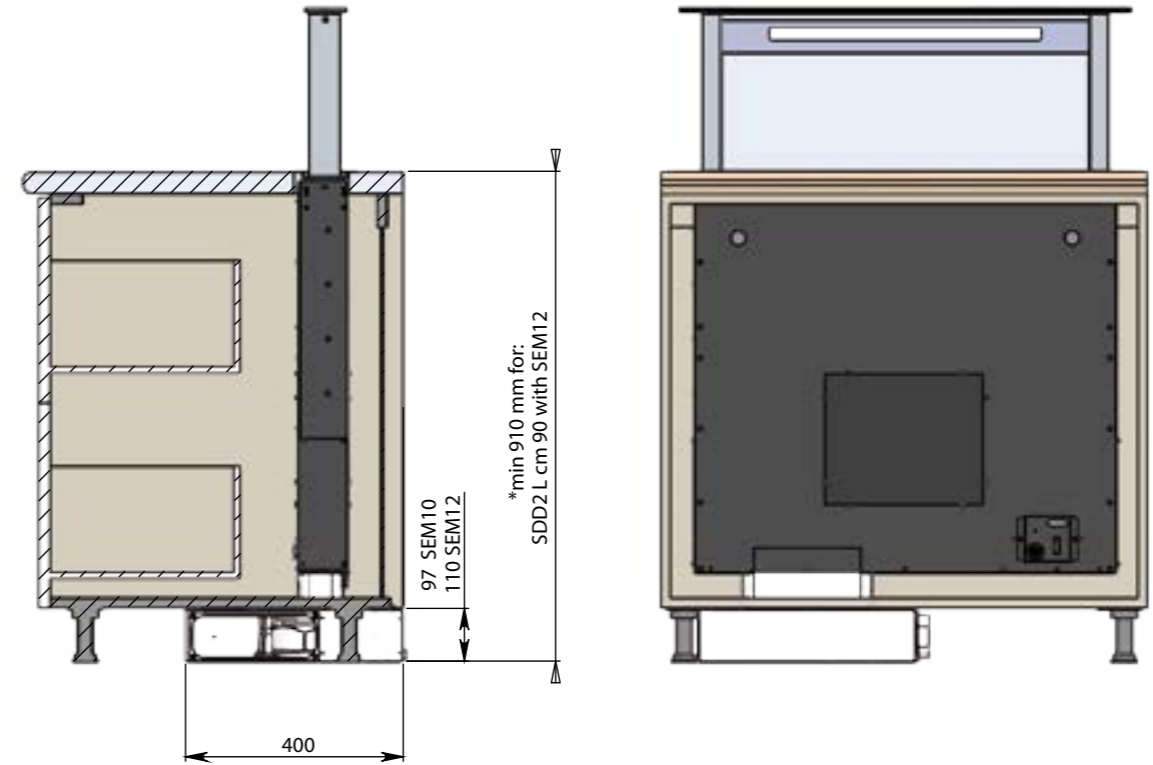
## PUSH UP SDD11 WITH SEM10 - SEM12



**PUSH UP SDD11 WITH SEM1 - SEM2**  
 (USING KIT INSTALLATION SDD16 WITH SEM1 OR SEM2)



**S DD2 - SDD2 L F.T. AND SUNRISE SDD13 WITH SEM10**  
**SDD2 L F.T. CM 90 WITH SEM12\***



# CEILING HOODS





## INSIDE OUT SLT 980



**Inside Out** is a ceiling hood equipped with advanced technologies and characterised by minimal lines and extreme attention to details. This is the perfect synthesis between aesthetics, efficiency and functionality. This range hood activates by remote control and descends from the ceiling, allowing the extraction of cooking vapours. After use, the hood goes back to hide in the ceiling.

### **Motor:**

Motor on board or external motor version (to be purchased separately)

### **Lighting:**

Dimmable and dynamic Led 11W (2700 to 6500K)

### **Control panel:**

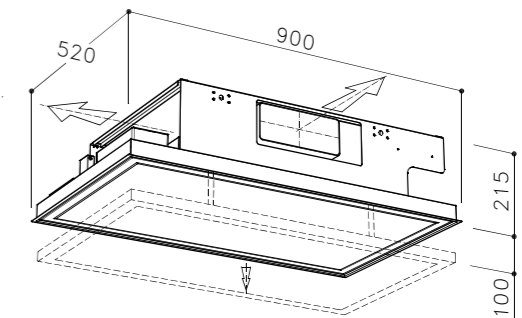
Remote control

### **Filter:**

Anodized aluminum (5+1 layers)

### **Finishing:**

White matt painted



### **Installation:**

For the installation create a false ceiling with a niche of 890mm x 510mm whose minimum height to be reached is 220 mm

product	dim.	motor	model identifier	EEC
SLT 980 E.LA. 4V	520x900	on board	C980093RC1245181	B
SLT 980 E.LA. BRHM	520x900	on board	C980090RC1375181	A+
SLT 980 E.LA. EM	520x900	SEM1	C980093RC1295181	A
SLT 980 E.LA. EM	520x900	SEM2	C980093RC1155181	C

## SUPERNOVA SLT 976

### Motor:

Motor on board or external motor version (to be purchased separately)

### Lighting:

2x1,4W Dimmable and dynamic spot leds (2700 to 6500°K)

### Control panel:

Remote control

App

Voice assistant

### Filter:

Anodized aluminum (5+1 layers)

### Material:

Painted Stainless Steel

Handmade ceramic domes

### Finishing:

Ceiling plate matt white painted

Ceramic domes white or black matt

### Installation:

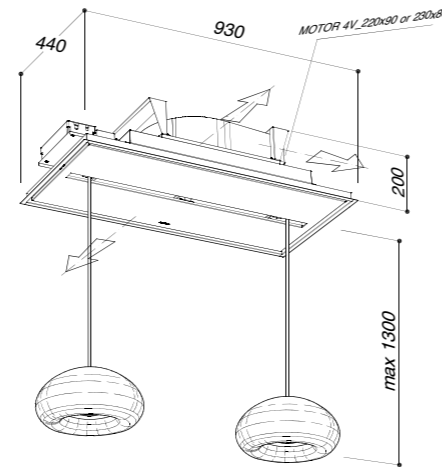
For the installation create a false ceiling with a niche of 425mm x 915mm whose minimum height to be reached is 200 mm

It is possible to add a Supernova Lamp (max 3 units)

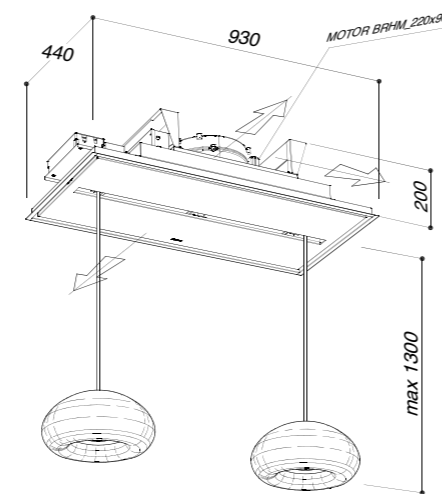
See page 70



product	dim.	motor	model identifier	EEC
SLT 976 E.LA. 4V APP	440x930	on board	C976093RA1244681	B
SLT 976 E.LA. BRHM APP	440x930	on board	C976093RA1374681	A++
SLT 976 E.LA. EM APP	440x930	SEM1	C976093RA1294681	A
SLT 976 E.LA. EM APP	440x930	SEM2	C976093RA1154681	B



motor on board/external motor

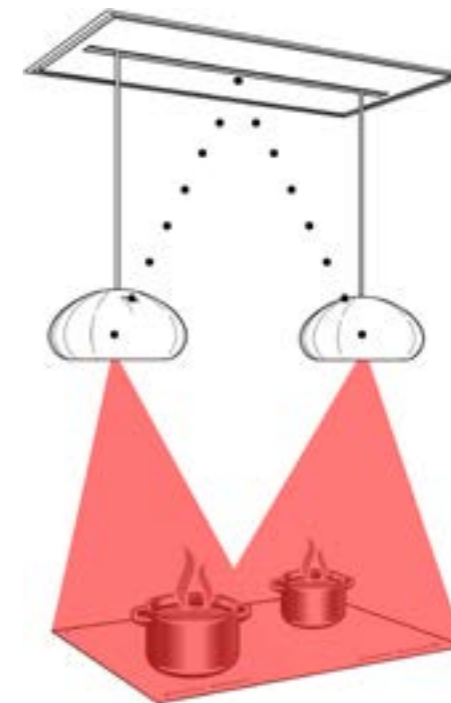


brushless motor





## SUPERNOVA AUTOMATIC



### ARTIFICIAL INTELLIGENCE SYSTEM - AIS

This innovative system, patented by Sirius, is made up of sensors and technologically advanced electronic devices working in synergy.

As you start cooking, the range hood autonomously activates and adjusts the suction power, by detecting constantly both the temperature and air quality while cooking.

This innovative technology allows an autonomous and automatic operation of products and is completely independent from the kind of hob you use (gas, induction, etc.).



## SUPERNOVA LAMP

Entirely hand-made by Deruta ceramic masters, Supernova Lamp is the new Sirius hanging lamp that can perfectly match Supernova range hood.  
A new generation led spot properly lightens the worktop below.

### **Lighting**

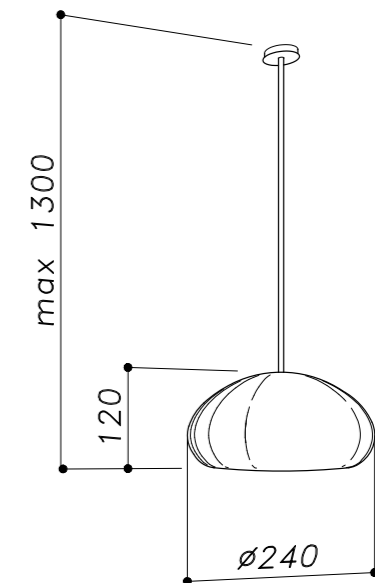
1x1,4W Dimmable and dynamic Led spot (2700K to 6500K)

### **Material**

Handmade ceramic

### **Finishing**

Ceramic Dome: matt black or matt white painted





## KITE LIGHT SLT 978 L

### Motor:

Motor on board or external motor version  
(to be purchased separately)

### Lighting:

Dimmable and dynamic full Led 11 W (2700 to 6500K)

### Control panel:

Remote control

App

Voice assistant

### Filter:

Anodized aluminum (5+1 layers)

### Material:

Stainless Steel

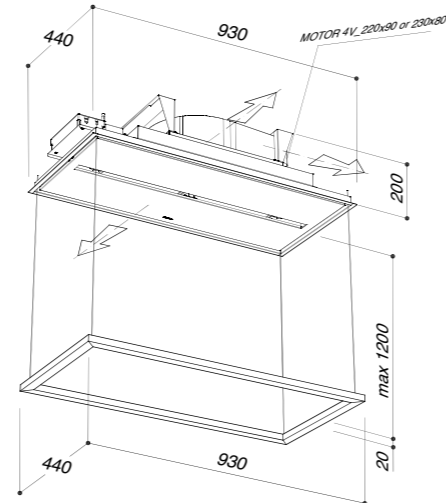
### Finishing:

Ceiling plate matt white painted

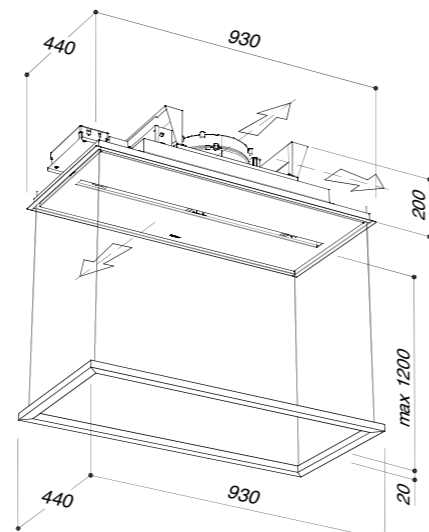
### Installation:

For the installation create a false ceiling with a niche of 425mm x 915mm whose minimum height to be reached is 200 mm

product	dim.	motor	model identifier	EEC
SLT 978 LIGHT 4V APP	440x930	on board	C978093RA1245281	B
SLT 978 LIGHT BRHM APP	440x930	on board	C978093RA1375281	A++
SLT 978 LIGHT EM APP	440x930	SEM1	C978093RA1295281	A
SLT 978 LIGHT EM APP	440x930	SEM2	C978093RA1155281	C



motor on board/external motor



brushless motor





## KITE SLT 978

### Motor:

Motor on board or external motor version  
(to be purchased separately)

### Lighting:

Dimmable and dynamic Led 11 W (2700 to 6500K)

### Control panel:

Remote control

App

Voice assistant

### Filter:

Anodized aluminum (5+1 layers)

### Material:

Stainless Steel

### Finishing:

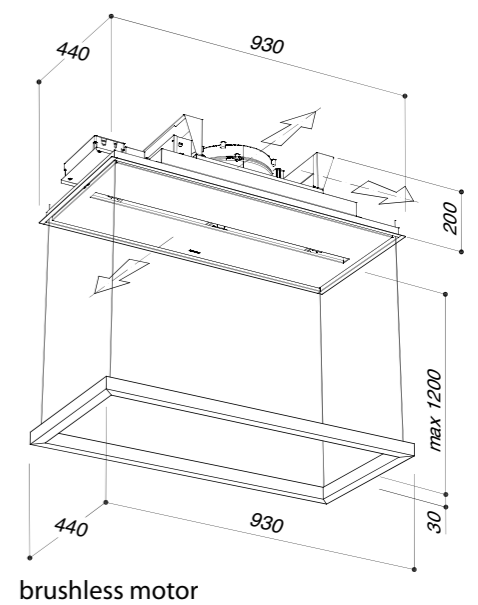
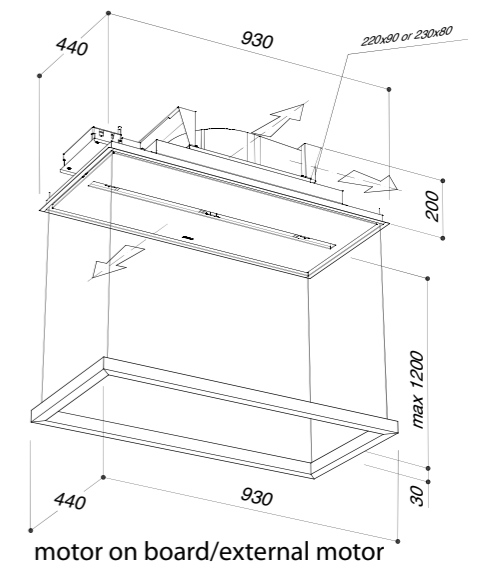
Ceiling plate matt white painted

Led frame matt black or matt white

### Installation:

For the installation create a false ceiling with a niche of 425mm x 915mm whose minimum height to be reached is 200 mm

product	dim.	motor	model identifier	EEC
SLT 978 4V APP	440x930	on board	C978093RA1245281	B
SLT 978 BRHM APP	440x930	on board	C978093RA1375281	A+
SLT 978 EM APP	440x930	SEM1	C978093RA1295281	A
SLT 978 EM APP	440x930	SEM2	C978093RA1155281	C







## LINE SLT 977

### Motor:

Motor on board or external motor version  
(to be purchased separately)

### Lighting:

Dimmable and dynamic full Led 5 W (2700 to 6500K)

### Control panel:

Remote control

App

Voice assistant

### Filter:

Anodized aluminum (5+1 layers)

### Material:

Stainless Steel

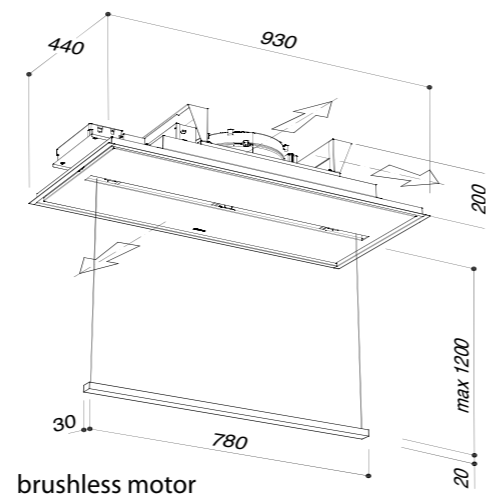
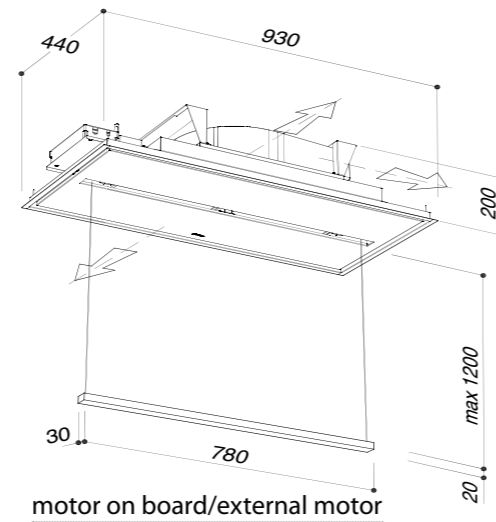
### Finishing:

Ceiling plate matt white painted

### Installation:

For the installation create a niche of 425mm x 915mm whose minimum height to be reached is 200 mm

product	dim.	motor	model identifier	EEC
SLT 977 4V APP	440x930	on board	C977093RA1245481	B
SLT 977 BRHM APP	440x930	on board	C977093RA1375481	A++
SLT 977 EM APP	440x930	SEM1	C977093RA1295481	A
SLT 977 EM APP	440x930	SEM2	C977093RA1155481	B





# HALO LIGHT SLT 973 L



**Motor:**

Motor on board or external motor version (to be purchased separately)

**Lighting:**

Dimmable and dynamic round full Led 10W (2700 to 6500K)

**Control panel:**

Remote control

App

Voice assistant

**Filter:**

Anodized aluminum (5+1 layers)

**Material:**

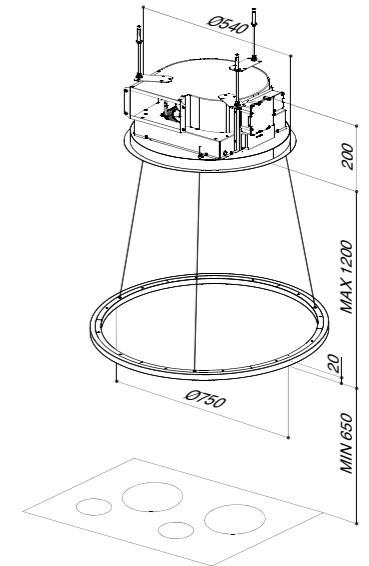
Stainless Steel

**Finishing:**

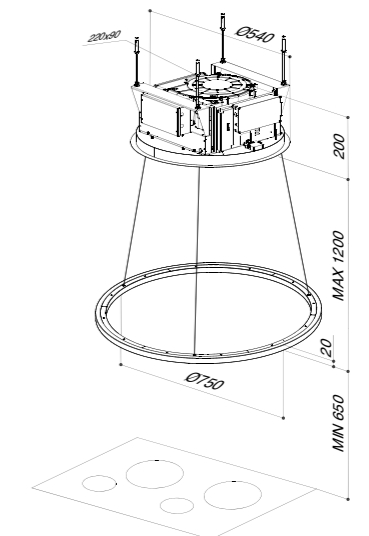
Ceiling plate in stainless Steel matt white painted

**Installation:**

For the installation create a false ceiling with a round niche of 510mm whose minimum height to be reached is 220 mm



motor on board/external motor



brushless motor

product	motor	model identifier	EEC
SLT 973 4V LIGHT APP	on board	C973075RA1245333	B
SLT 973 BRHM LIGHT APP	on board	C973075RA1375333	A+
SLT 973 EM LIGHT APP	SEM1	C973075RA1295333	A
SLT 973 EM LIGHT APP	SEM2	C973075RA1155333	C





## HALO SLT 973

### **Motor:**

motor on board or external motor version (to be purchased separately)

### **Lighting:**

Dimmable and dynamic round Led 10W (2700 to 6500K)

### **Control panel:**

Remote control

App

Voice assistant

### **Filter:**

Anodized aluminum (5+1 layers)

### **Material:**

Stainless Steel

### **Finishing:**

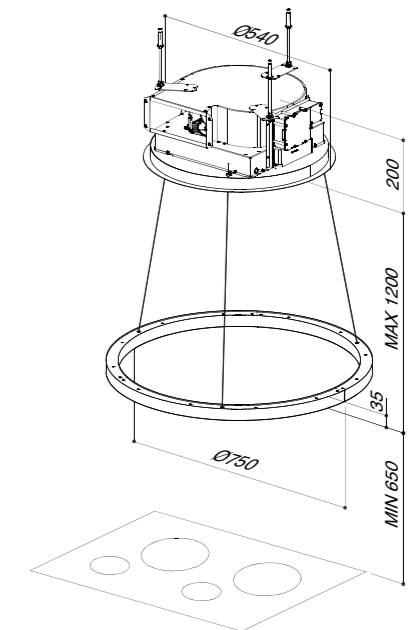
Ceiling plate in stainless Steel matt white painted

Led frame matt black or white

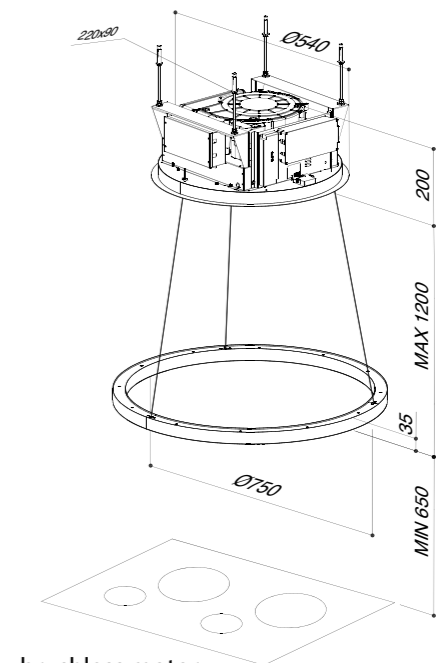
### **Installation:**

For the installation create a false ceiling with a round niche of 510mm whose minimum height to be reached is 220 mm

product	motor	model identifier	EEC
SLT 973 4V APP	on board	C973075RA1245333	B
SLT 973 BRHM APP	on board	C973075RA1375333	A+
SLT 973 EM APP	SEM1	C973075RA1295333	A
SLT 973 EM APP	SEM2	C973075RA1155333	C



motor on board/external motor



brushless motor



## ORIGAMI SLT 972

### **Motor:**

motor on board or external motor version (to be purchased separately)

### **Lighting:**

Dimmable and dynamic Led panel 7W (2700 to 6500°K)

### **Control panel:**

Remote control

App

Voice assistant

### **Filter:**

Anodized aluminum (5+1 layers)

### **Material:**

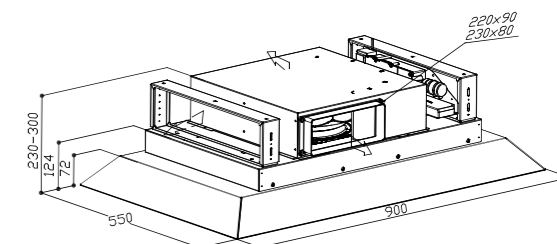
Stainless steel

### **Finishing:**

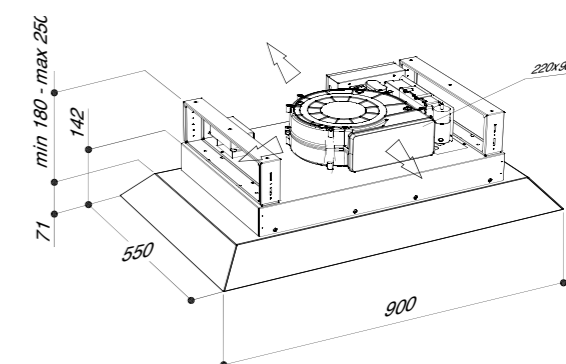
White painted

### **Installation:**

For the installation create a false ceiling with a niche of 750mm for 410mm whose minimum height to be reached is 200mm



motor on board/external motor



brushless motor

product	dim.	motor	model identifier	EEC
SLT 972 4V APP	550x900	on board	C972090RA1243773	B
SLT 972 BRHM APP	550x900	on board	C972090RA1373773	A++
SLT 972 EM APP	550x900	SEM1	C972090RA1293773	A
SLT 972 EM APP	550x900	SEM2	C972090RA1153773	B





## SCREEN SLT 974

**Motor:**  
motor on board or external motor version (to be purchased separately)

**Lighting:**  
Dimmable and dynamic Led panel 7W (2700 to 6500°K)

**Control panel:**  
Remote control  
App

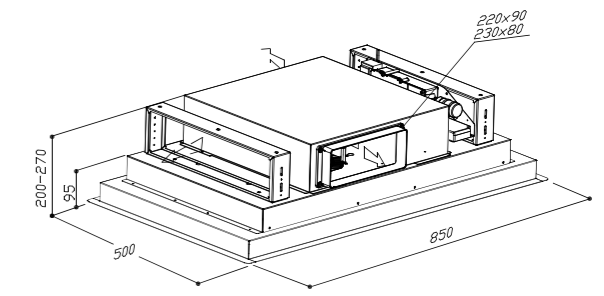
Voice assistant

**Filter:**  
Anodized aluminum (5+1 layers)

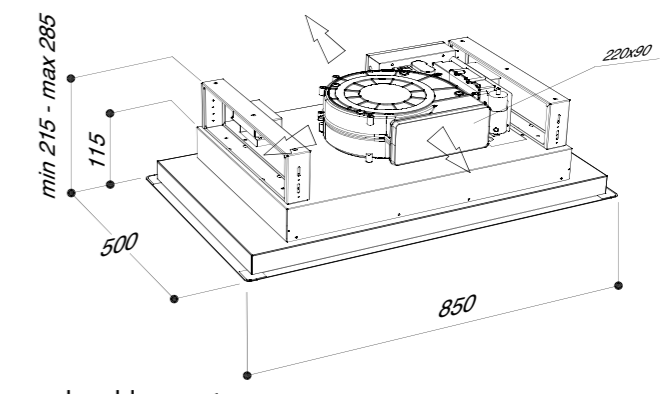
**Material:**  
Stainless steel

**Finishing:**  
White painted

**Installation:**  
For the installation create a false ceiling with a niche of 815mm for 465mm whose minimum height to be reached is 220mm



motor on board/external motor



brushless motor

product	dim.	motor	model identifier	EEC
SLT 974 4V APP	500x850	on board	C974085RC1243773	B
SLT 974 BRHM APP	500x850	on board	C974085RA1373773	A++
SLT 974 EM APP	500x850	SEM1	C974085RA1293773	A
SLT 974 EM APP	500x850	SEM2	C974085RC1153773	B



**Motor:**

motor on board or external motor version (to be purchased separately)

**Lighting:**

3x2,5W Dimmer Led spotlight

**Control panel:**

Remote control

**Filter:**

Anodized aluminum (5+1 layers)

**Material:**

White glass

**Finishing:**

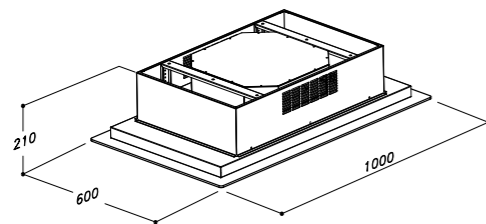
White glass with crystal transparent edge

**Installation:**

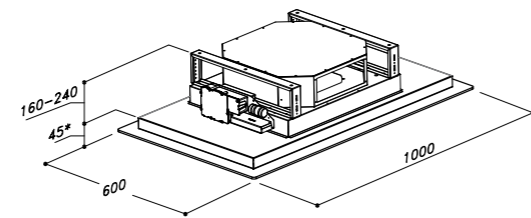
For the installation create a false ceiling with a niche of 850mm x 470mm whose minimum height to be reached is 200 mm (Built-in version)



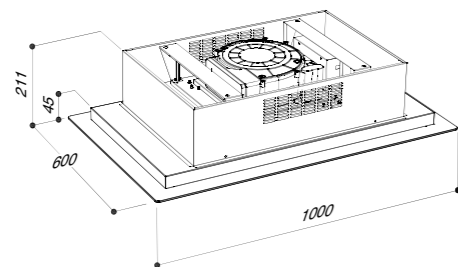
**FRAME SLT 970**



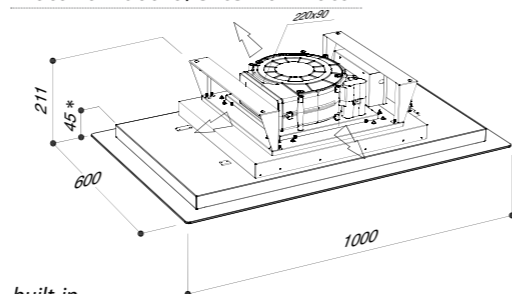
freestanding (filtering version only)  
motor on board/external motor



built-in  
\* this part must not be built-in  
motor on board/external motor



freestanding (filtering version only)  
brushless motor



built-in  
\* this part must not be built-in  
brushless motor

product	dim.	motor	model identifier	EEC
SLT 970	600x1000	on board	C970100RC1243637	B
SLT 970 BRH M	600x1000	on board	C970100RC1373637	A++
SLT 970 EM	600x1000	SEM1	C970100RC1293643	B
SLT 970 EM	600x1000	SEM 2	C970100RC1153643	C

**Motor:**

motor on board or external motor version (to be purchased separately)

**Lighting:**

6W Dimmable and dynamic Led bar (2700 to 6500°K) (90cm version)

2X3,75W Dimmable and dynamic Led bar (2700 to 6500°K) (120cm version)

**Control panel:**

Remote control

**Filter:**

Anodized aluminum (5+1 layers)

**Material:**

Stainless steel AISI430 (SLT971 inox version)

White painted stainless steel and glass (SLT971 glass version)

**Finishing:**

Stainless steel (SLT971 inox version)

White painted stainless steel and white glass panel (SLT971 glass version)

**Installation:**

For the installation create a false ceiling with a niche of:

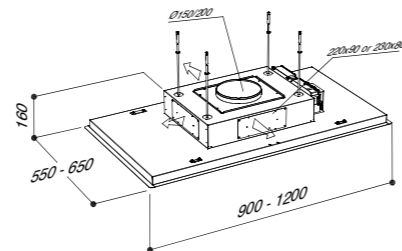
865mmx 515mm whose minimum height to be reached is 210mm (SLT971 cm90 motor on board version) or 170mm (SLT971 cm90 external motor version)

1165mm x 615mm whose minimum height to be reached is 210mm (SLT971 cm120 motor on board version) or 170mm (SLT971 cm120 external motor version)

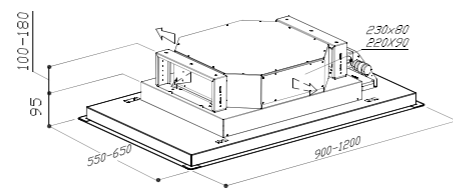
product	dim.	motor	model identifier	EEC
SLT 971	550x900	on board	C971090RC1244143	B
SLT 971 BRHM	550x900	on board	C971090RC1374143	A++
SLT 971 EM	550x900	SEM1	C971090RC1294143	B
SLT 971 EM	550x900	SEM 2	C971090RC1154143	C
SLT 971	650x1200	on board	C971120RC1244037	B
SLT 971 BRHM	650x1200	on board	C971120RC1374037	A++
SLT 971 EM	650x1200	SEM1	C971120RC1294037	B
SLT 971 EM	650x1200	SEM 2	C971120RC1154037	C



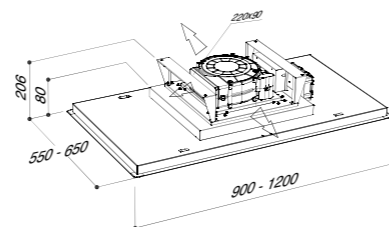
LESS SLT 971



external motor



motor on board



brushless motor



## ATMOS SLT 975

### Motor:

motor on board or external motor version (to be purchased separately)

### Lighting:

2X3,75W Dimmable and dynamic Led bar (2700 to 6500°K) (90cm version)

2X6W Dimmable and dynamic Led bar (2700 to 6500°K) (120cm version)

### Control panel:

Remote control

### Filter:

Anodized aluminum (5+1 layers)

Material:

Stainless steel AISI430

### Finishing:

Stainless steel

White matt painted

Black matt painted

### Installation:

865mmx465mm whose minimum height to be reached is

210mm (SLT975 cm90 motor on board version)

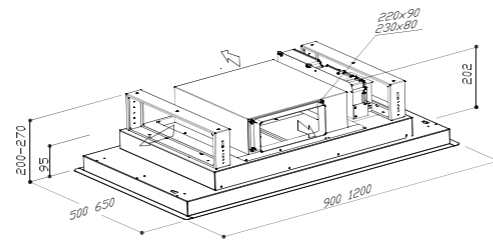
or 170mm (SLT975 cm90 external motor version)

1165mmx615mm whose minimum height to be reached is

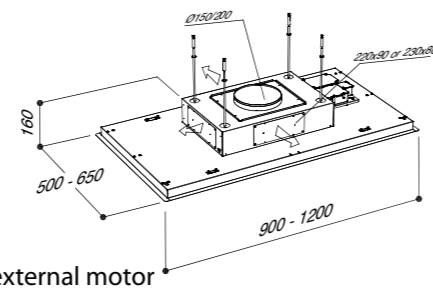
210mm (SLT975 cm120 motor on board version)

or 170mm (SLT975 cm120 external motor version)

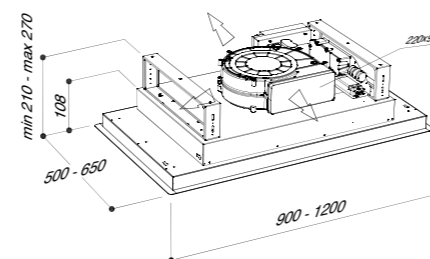
product	dim.	motor	model identifier	EEC
SLT 975 E.LA. 4V	500x900	on board	C975090RC1243573	B
SLT 975 E.LA. BRHM	500x900	on board	C975090RC1373573	A++
SLT 975 E.LA. EM	500x900	SEM 1	C975090RC1294073	B
SLT 975 E.LA. EM	500x900	SEM 2	C975090RC1254073	B
SLT 975 E.LA. 4V	650x1200	on board	C975120RC1244173	B
SLT 975 E.LA. BRHM	650x1200	on board	C975120RC1374173	A++
SLT 975 E.LA. EM	650x1200	SEM1	C975120RC1294173	B
SLT 975 E.LA. EM	650x1200	SEM 2	C975120RC1254173	B



motor on board



external motor



brushless motor



## ZENDRA SLT979

### Motor:

motor on board or external motor version (to be purchased separately)

### Lighting:

2x5,5W Dimmable and dynamic Led panels (2700 to 6500°K)

### Control panel:

Remote control

App Sirius

Voice assistant

### Filter:

Anodized aluminum (5+1 layers)

### Material:

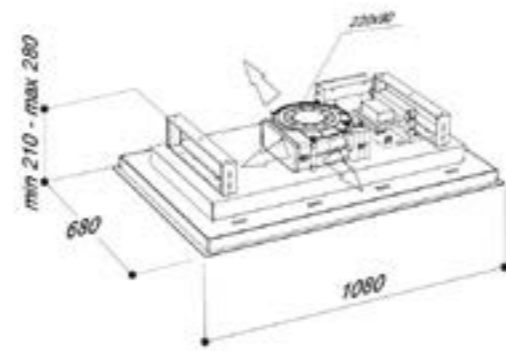
Painted stainless Steel

### Finishing:

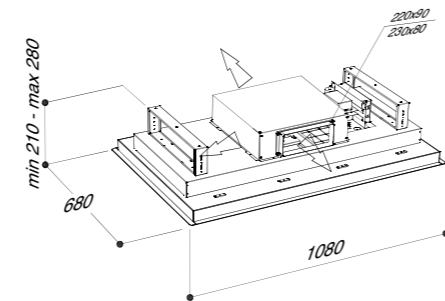
White

### Installation:

For the installation create a false ceiling with a niche of 1050mm for 645mm whose minimum height to be reached is 210mm



brushless motor



motor on board/external motor

product	dim.	motor	model identifier	EEC
SLT 979 E.LA. 4V APP	680x1080	on board	C979108RA1244860	B
SLT 979 E.LA. BRHM APP	680x1080	on board	C979108RA1374860	A+
SLT 979 E.LA. EM APP	680x1080	SEM 1	C979108RA1294860	A
SLT 979 E.LA. EM APP	680x1080	SEM 2	C979108RA1154860	B



**Motor:**

motor on board or external motor version (to be purchased separately)

**Lighting:**

2X3,75W Dimmable and dynamic Led bar (2700 to 6500°K)

**Control Panel:**

Remote Control

**Filter:**

Anodized aluminum (5+1 layers)

**Material:**

Stainless Steel AISI430

**Finishing:**

stainless steel

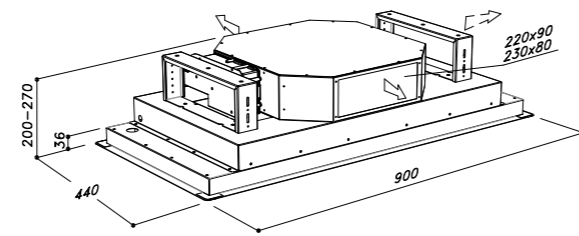
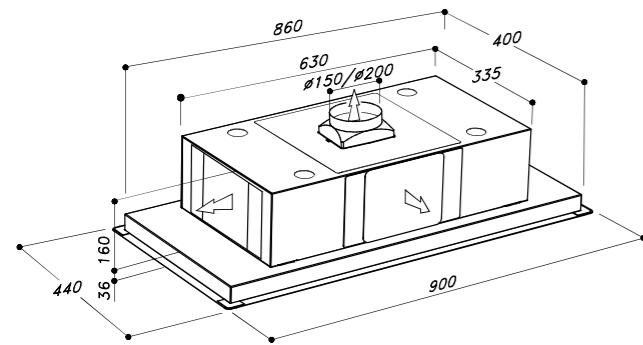
white painted and white glass

**Installation:**

Create a false ceiling with a niche of 865mm x 405mm whose minimum height to be reached is 210mm.



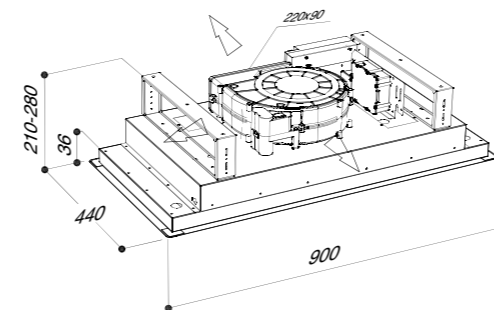
**SLT 958**



external motor

h200 version

product	dim.	motor	model identifier	EEC
SLT 958 H200	440x900	on board	C958090RC1244073	B
SLT 958 H200 BRHM	440x900	on board	C958090RC1374073	A++
SLT 958 EM	440x900	SEM 1	C958090RC1294037	B
SLT 958 EM	440x900	SEM 2	C958090RC1154037	B



brushless motor

# DECORATIVE ISLAND



**NEMESI SIL 36 TC**



**Motor**

on board

**Lighting:**

2x6W Dimmable and dynamic Led bar (2700 to 6500°K)

**Control panel:**

Touch control 4 speeds + light switch + timer + Anti-drop System

**Filter:**

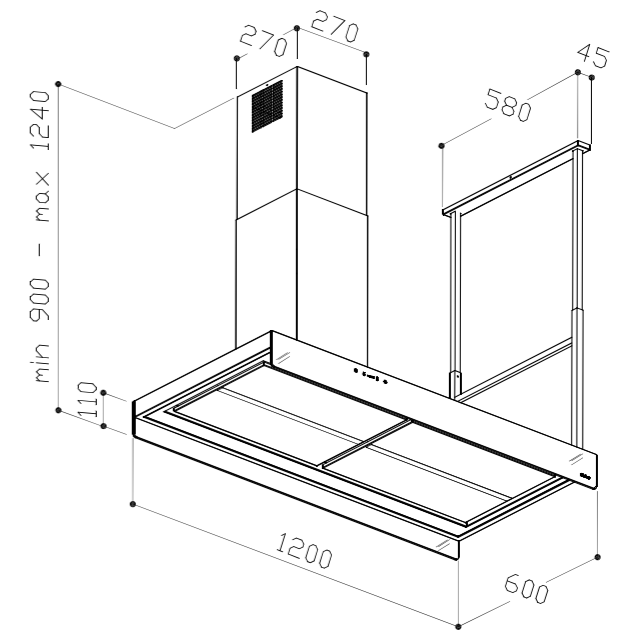
Anodized aluminum (5+1 layers)

**Finishing:**

Black matte painted  
Smoked glass



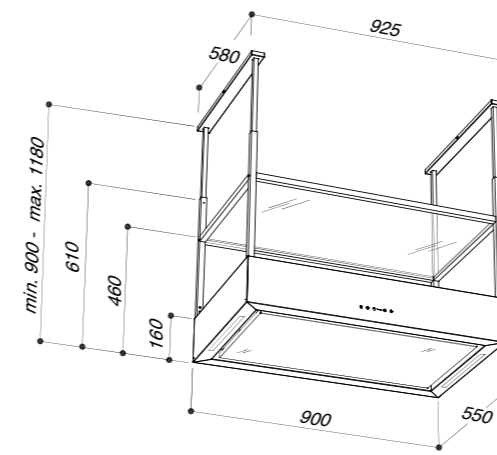
**ANTI-DROP SYSTEM**



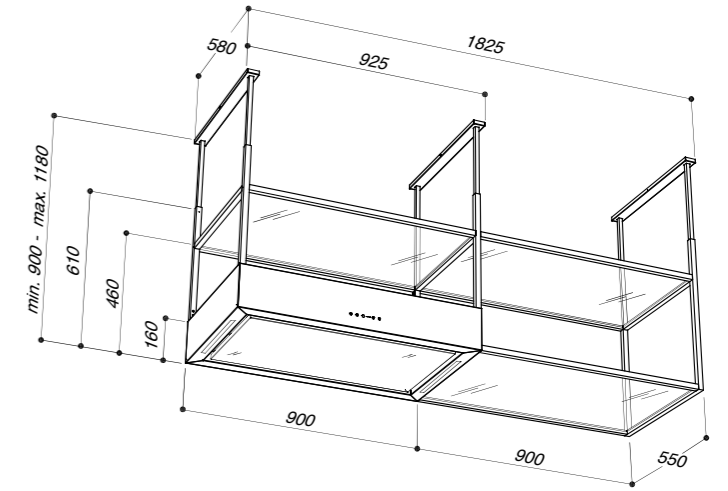
product	dim.	motor	model identifier	EEC
SILTC36	1200	on board	I036120TA1284143	A



## SYMPHONY MO 409



Symphony



Symphony with accessory

### **Motor on board:**

EBM 550m3/h  
110W  
50 dBA

### **Lighting:**

2x3,75W Dimmable and dynamic Led bar (2700 to 6500°K)

### **Control panel:**

Touch control 4 speeds +light switch +timer+Anti-drop System

### **Filter:**

Anodized aluminum (4+1 layers)  
High performance carbon filter HP60 (black)

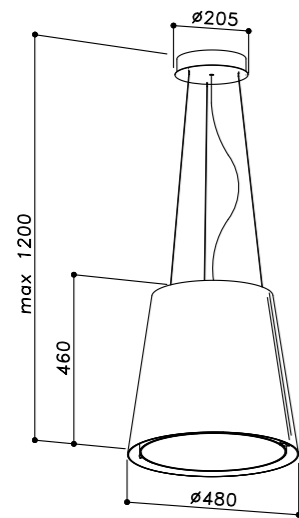
### **Finishing:**

Matt black painted  
Smoked glass



**ANTI-DROP SYSTEM**

## ROLL SILT 28



### **Motor on board:**

600m<sup>3</sup>/h  
230W  
63dBA

### **Lighting:**

Rounded NEON 40W

### **Control panel:**

Remote control

### **Grease filter:**

Anodized aluminum (4+1 layers)  
Washable carbon filter KF39

### **Material:**

Painted stainless steel

### **Finishing:**

Gold, Copper, Black, White  
Only filtering version

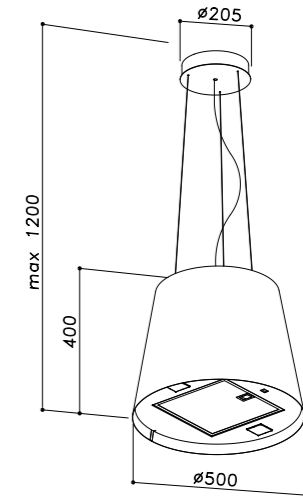
### **Only filtering version**

Available in lamp version

### **Lighting:**

round neon 40W

## SILT 30



### **Motor on board:**

600m<sup>3</sup>/h  
168W  
62dBA

### **Lighting:**

2x2,1W Led spotlight

### **Control panel:**

Remote control

### **Grease filter:**

Anodized aluminum (4+1 layers)  
Washable carbon filter KF39

### **Material:**

Painted stainless steel

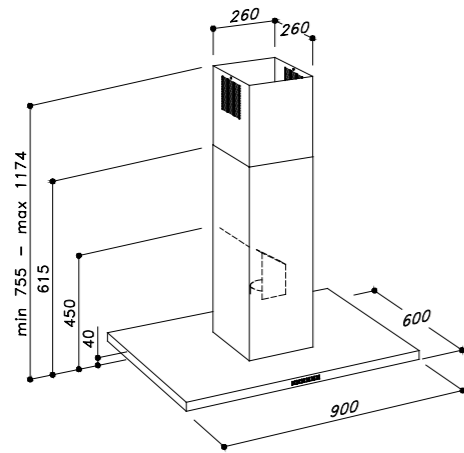
### **Finishing:**

White matt  
Black matt

### **Only filtering version**



## SIL 24 TC



product dim. motor model identifier EEC  
SIL 24 TC 900 on-board I024090TC1284437 A

### **Motor on board**

### **Lighting:**

2x3,75W Dimmable and dynamic Led bar (2700 to 6500°K)

### **Control panel:**

Touch Control 4 speeds + light switch + timer

### **Grease filter:**

Baffle filter AISI430

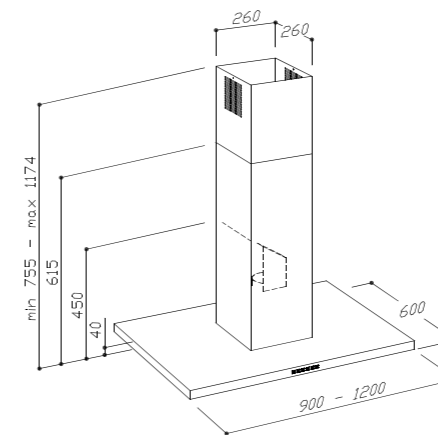
### **Material:**

Stainless steel AISI430 and glass

### **Finishing:**

Black glass

## SIL 24



product dim. motor model identifier EEC  
SIL 24X 900 on-board I024090PB1284437 A  
SIL 24X 1200 on-board I024120PB1284437 A

### **Motor on board**

### **Lighting:**

2x3,75W Dimmable and dynamic Led bar (2700 to 6500°K)

### **Control panel:**

Chromed 4 speeds push-button+light switch+timer

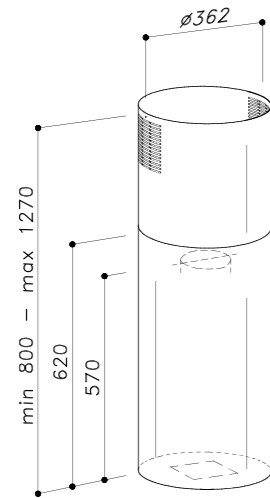
### **Grease filter:**

Baffle filter AISI430

### **Material:**

Stainless steel AISI430

## MO 404



**Motor on board**

**Lighting:**

Led spot 4W 5000°K

**Control Panel:**

Remote Control

**Grease filter:**

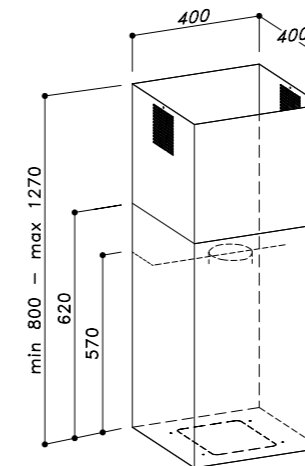
Anodized aluminum (5+1 layers)

**Material:**

Stainless steel AISI304

product	motor	model identifier	EEC
MO404	on-board	I404036RC1282604	A

## MO 405



**Motor on board**

**Lighting:**

Led spot 4W 5000°K

**Control Panel:**

Remote Control

**Grease filter:**

Anodized aluminum (5+1 layers)

**Material:**

Stainless steel AISI304

product	motor	model identifier	EEC
MO405	on-board	I405040RC1282604	A



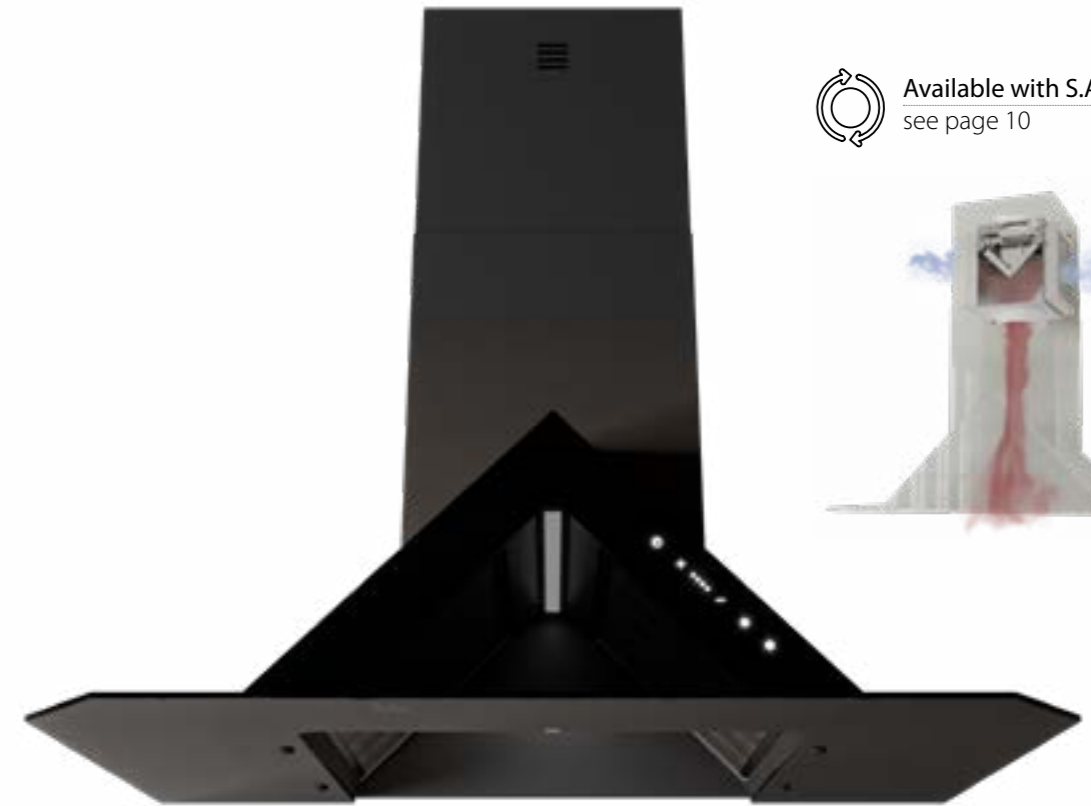
WALL HOODS



## ARROW SLTC120



Available with S.A.M.S. System  
see page 10



**Motor:**

on board

**Lighting:**

1x3,75W Dimmable and dynamic Led bar (2700 to 6500°K)

**Control panel:**

Touch control 4 speeds + light switch + timer + Air Management System

**Filter:**

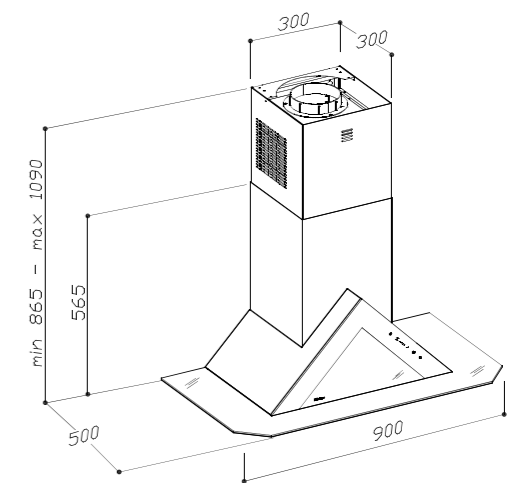
Anodized aluminum (5+1 layers)

**Finishing:**

Matt black painted

Smoked glass

**S.A.M.S. Sirius Air Management System**



product	dim.	motor	model identifier	EEC
SL120	900	on board	P120090TV1284404	A+



## TIKAL SLTC 121



**Motor:**

on board

**Lighting:**

1x3,75W Dimmable and dynamic Led bar (2700 to 6500°K)

**Control panel:**

Touch control 4 speeds + light switch + timer + Anti-drop System

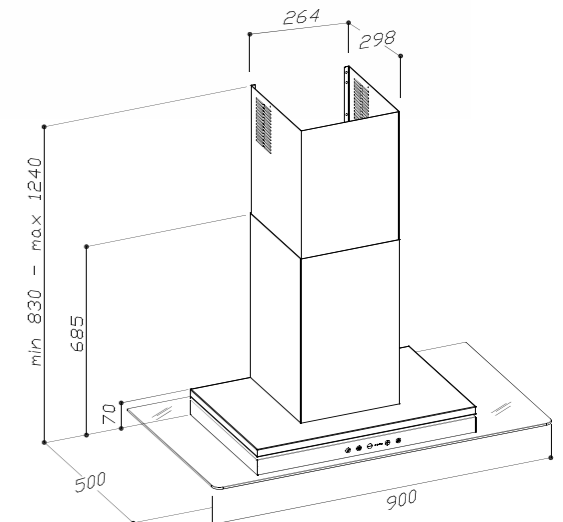
**Filter:**

Anodized aluminum (5+1 layers)

**Finishing:**

Matt black painted

Smoked glass



**ANTI-DROP SYSTEM**

product	dim.	motor	model identifier	EEC
SL121	900	on board	P121090TA1284457	A

## FLAT SLTC 111

### **Motor on board:**

Top or back vented

### **Lighting:**

3,75W Dimmable and dynamic

Led bar (2700 to 6500°K)

### **Control panel:**

Touch Control 4 speeds + light  
switch + timer

### **Grease filter:**

Anodized aluminum (5+1 layers)

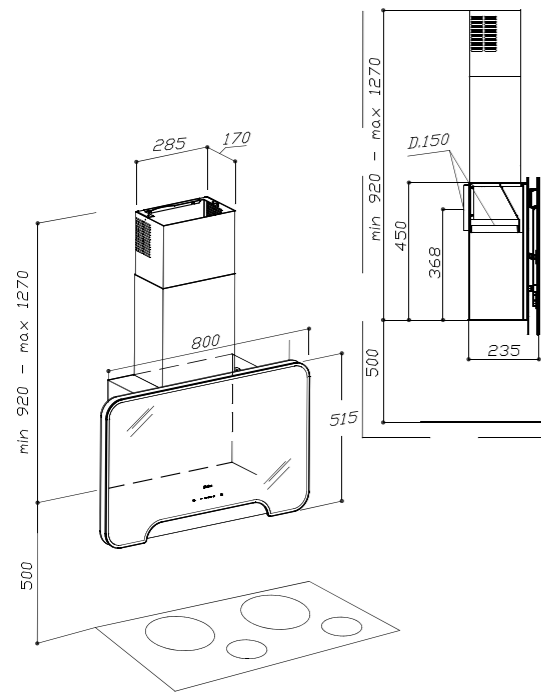
### **Material:**

Stainless Steel AISI430 and glass

### **Finishing:**

Front panel in White or Black  
glass with crystal transparent  
edge

Back glass White



product dim. motor model identifier EEC  
SLTC111 800 on-board P111080TC1240237 A



## RADAR SLTC 114

**Motor on board:**

Top or back vented

**Lighting:**

3,75W Dimmable and dynamic Led bar (2700 to 6500°K)

**Control panel:**

Touch Control 4 speeds + light switch + timer

**Grease filter:**

Anodized aluminum (5+1 layers)

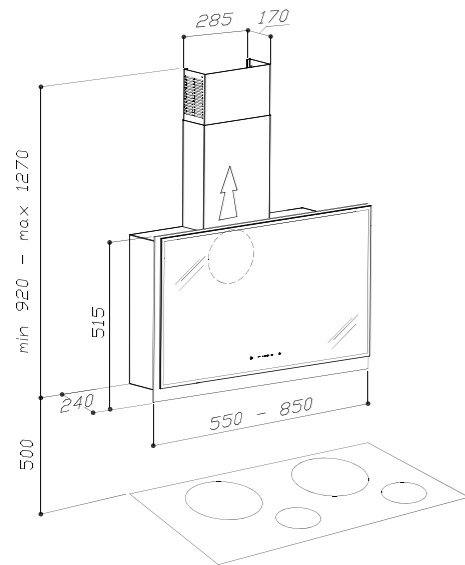
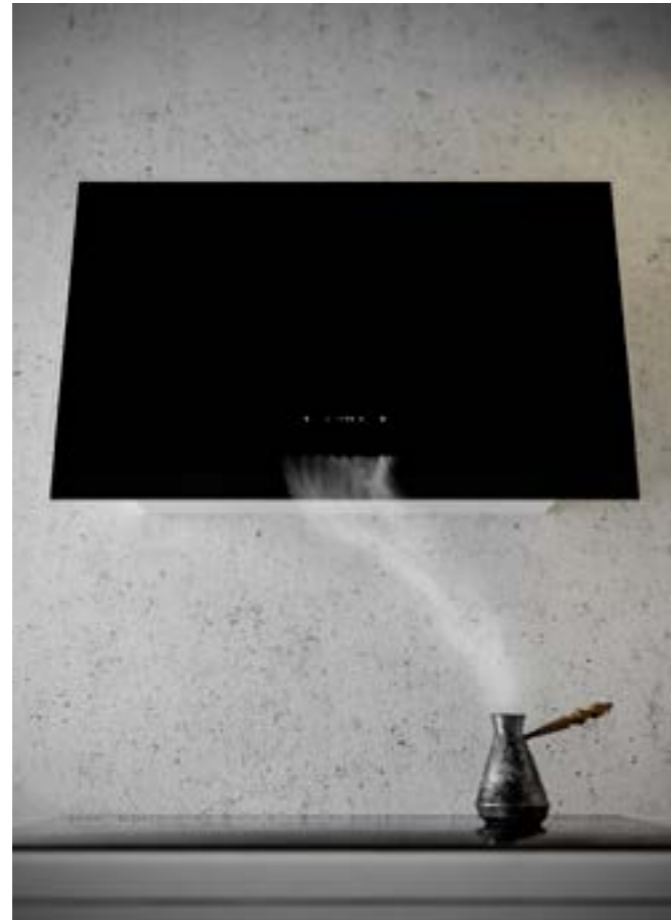
**Material:**

Painted stainless Steel AISI430 and glass

**Finishing:**

Front panel in Black glass with crystal transparent edge

Back glass Black



product	dim.	motor	model identifier	EEC
SLTC114	550	on-board	P114055TC1364137	A
SLTC114	850	on-board	P114085TC1364422	A



## SLTC 119

**Motor on board:**

Top or back vented

**Lighting:**

3,75W Dimmable and dynamic Led bar (2700 to 6500°K)

**Control panel:**

Touch Control 4 speeds + light switch + timer

**Filter:**

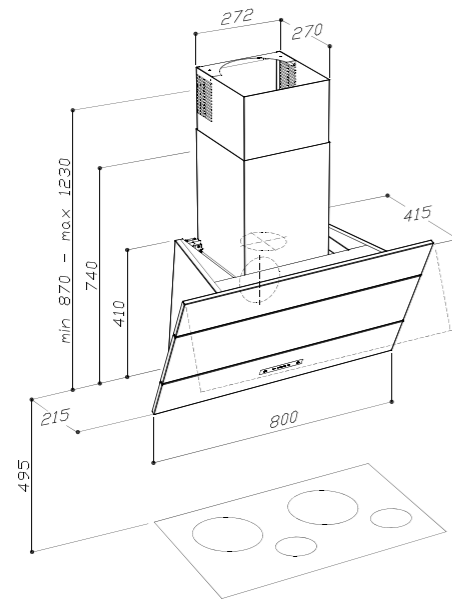
Anodized aluminum (5+1 layers)

**Material:**

Stainless Steel AISI430

**Finishing:**

Inox / Black



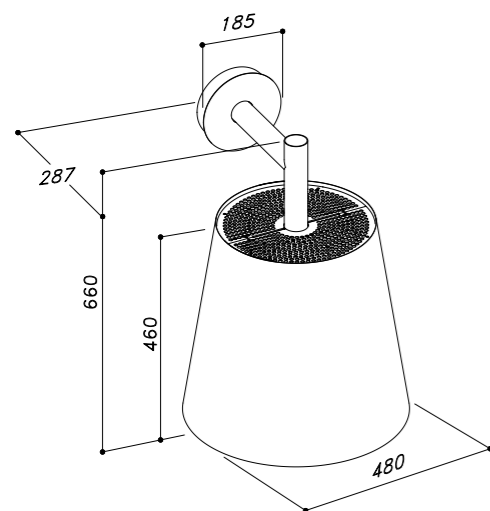
product	dim. motor	model identifier	EEC
SLTC119	800 on-board	P119080TC1284022 A	







Chromed bracket



**Motor on board:**

600m3/h

230W

63 dBA

**Lighting:**

1x40W round neon

**Control panel:**

Remote control

**Grease filter:**

Anodized aluminum (4+1 layers)

Washable carbon filter KF39

**Material:**

Painted stainless Steel

**Finishing:**

White/black

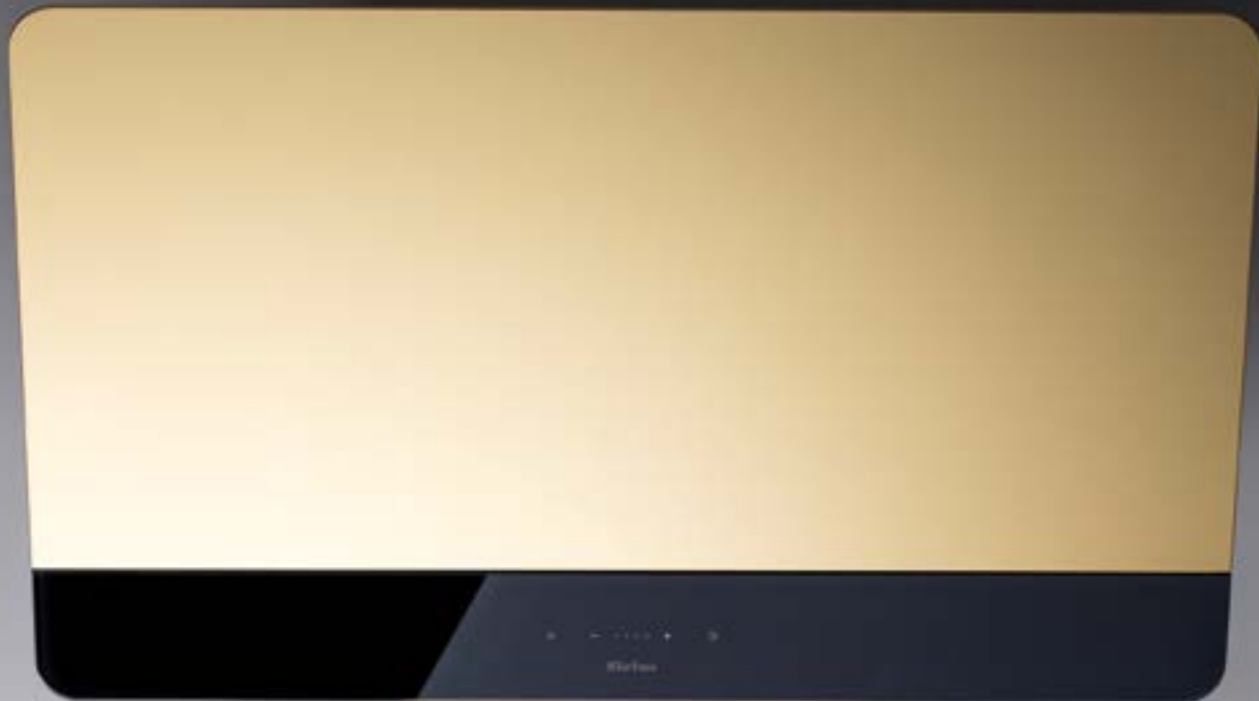
Chromed bracket

**Perimetral suction**

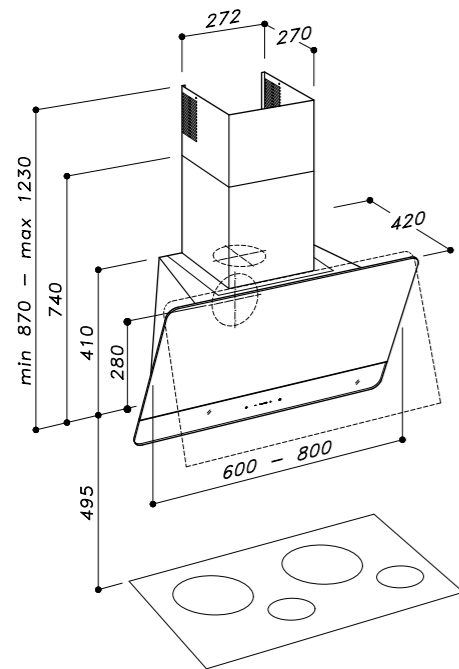
**Only filtering version**

**APPLIQUE SLT 105**





SKINNY SLTC 93



**Motor on board:**

Top or back vented

**Lighting:**

3,75W Dimmable and dynamic Led bar  
(2700 to 6500°K)

**Control panel:**

Touch Control 4 speeds + light switch + timer

**Filter:**

Anodized aluminum (5+1 layers)

**Material:**

Painted stainless Steel AISI430 and glass

**Finishing:**

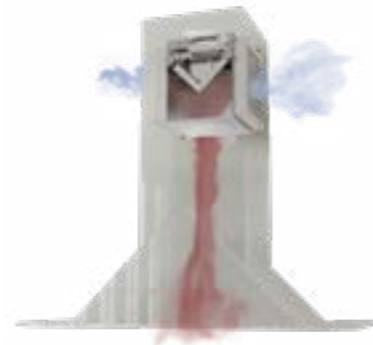
Upper glass Gold or Black painted

product	dim.	motor	model identifier	EEC
SLTC93	600	on-board	P093060TC1284022 A	
SLTC93	800	on-board	P093080TC1284022 A	

## JEEG SLTC 97 S.A.M.S.



Available with S.A.M.S. System  
see page 10



**Motor on board:**

Top or back vented

**Lighting:**

2 x 3,75W Dimmable and dynamic  
Led bar (2700 to 6500°K)

**Control panel:**

Touch Control 4 speeds + light  
switch + timer

Touch control 4 speeds+light  
switch+timer+Air Management  
System (SLTC97 S.A.M.S.)

**Filter:**

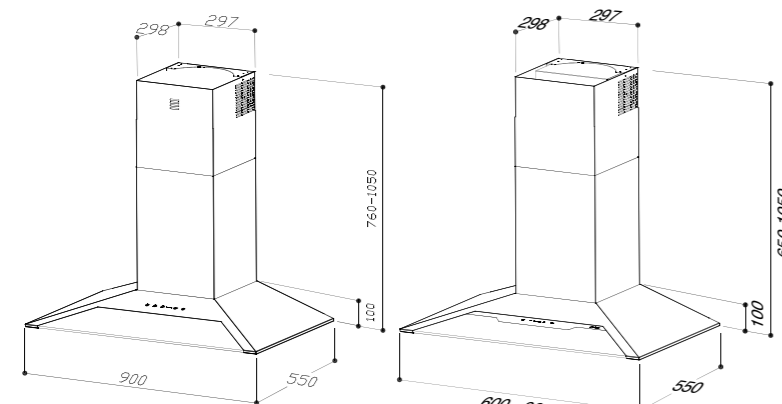
Stainless steel and anodized alumi-  
num (5+1 layers)

**Material:**

Painted stainless steel and smoked  
glass

**Finishing:**

Black, White



SLTC 97 S.A.M.S

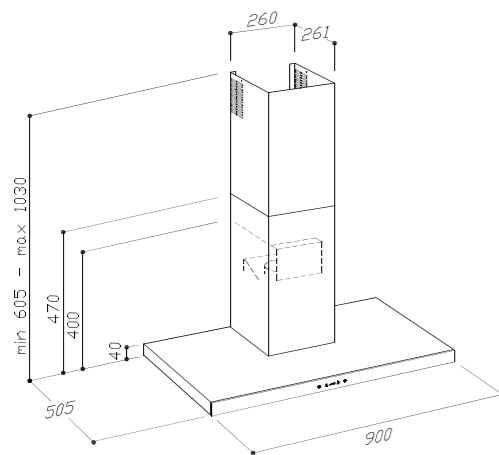
SLTC 97

product	dim.	motor	model identifier	EEC
SLTC97	600	on-board	P097060TC1284075	A
SLTC97	900	on-board	P097090TC1284002	A+

## JEEG SLTC 97



## SLTC 92



product dim. motor model identifier EEC  
SLTC92 900 on-board P092090TC1284037 A

### **Motor on board**

### **Lighting:**

2x3,75W dimmable and dynamic  
Led bar (2700 to 6500°K)

### **Control panel:**

Touch Control 4 speeds + light  
switch + timer

### **Grease filter:**

Baffle filter AISI430

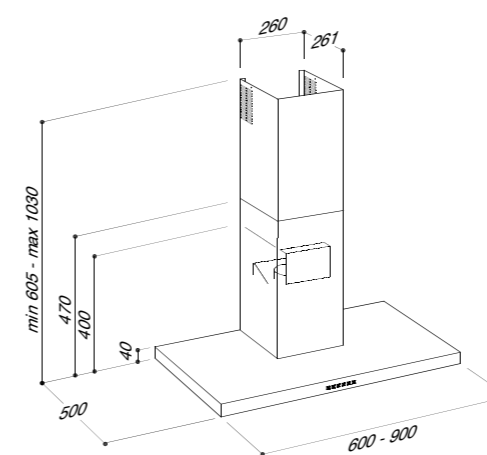
### **Material:**

Stainless steel AISI 430 and glass

### **Finishing:**

Black glass

## SL 92



product dim. motor model identifier EEC  
SL92 600 on-board P092060PB1284037 A  
SL92 900 on-board P092090PB1284037 A

### **Motor on board**

### **Lighting:**

2x3,75W dimmable and dynamic Led  
bar (2700 to 6500°K)

### **Control panel:**

Chromed 4 speeds push-button+light  
switch+timer

### **Grease filter:**

Baffle filter AISI430

### **Material:**

Stainless steel AISI 430

## SL107

### Motor on board

### Lighting:

2x3,75W dimmable and dynamic Led bar (2700 to 6500°K)

### Control panel:

Chromed 4 speeds push-button+light switch+timer (SL107 version)

Touch Control 4 speeds + light switch + timer (SLTC107 version)

### Filter:

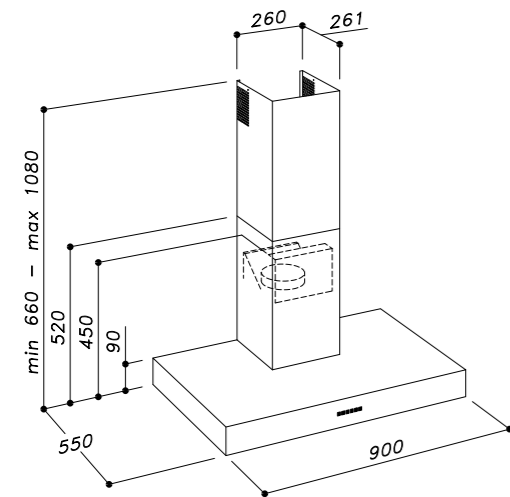
commercial style baffle filters SS304

with oil collector

### Material:

Stainless steel AISI304 (SL107 version)

Stainless steel AISI430 and glass panel (SLTC107 version)



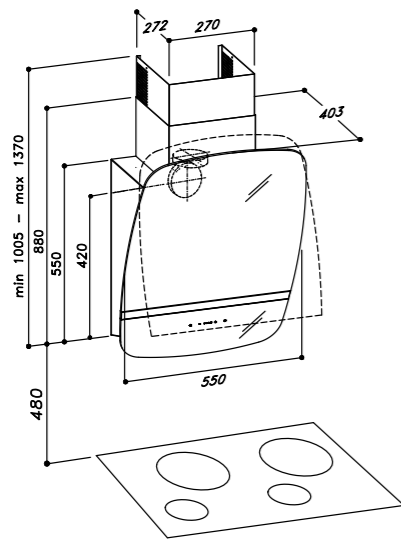
oil collector

product	dim.	motor	model identifier	EEC
SL107	900	on-board	P107090PB1280144	A+
SLTC107	900	on-board	P107090TC1284044	A+

## SLTC 107



## SLTC 90



product dim. motor model identifier EEC  
SLTC90 550 on-board P090055SL1020113 A

**Motor on board:**

Top or back vented

**Lighting:**

1x6,5W Led Strip

**Control panel:**

Touch Control 4 speeds + light switch + timer

**Grease filter:**

Anodized aluminum (5+1 layers)

**Material:**

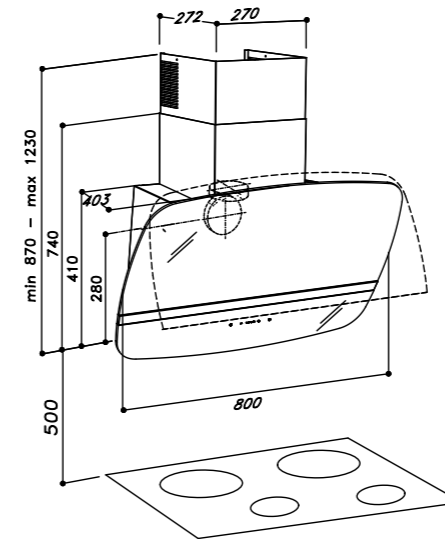
Stainless steel AISI 430 and glass

**Finishing:**

White glass

Black glass

## SLTC 91



product dim. motor model identifier EEC  
SLTC91 800 on-board P091080SL1020122 A

**Motor on board:**

Top or back vented

**Lighting:**

1x6,5W Led Strip

**Control panel:**

Touch Control 4 speeds + light switch + timer

**Grease filter:**

Anodized aluminum (5+1 layers)

**Material:**

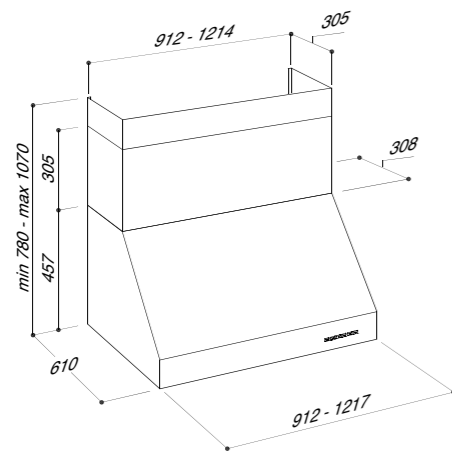
Stainless steel AISI430 and glass

**Finishing:**

White glass

Black glass

## SL109



product	dim.	motor	model identifier	EEC
SL109	900	on-board	P109090PB1034044 A	
SL109	1200	2 Mot on-board	P109120PB2034045 B	

### Motor on board

### Lighting:

2x3,75W Dimmable and dynamic led bar (2700 to 6500°K)

### Control Panel:

Chromed 4 speeds push-button+light switch+timer

### Grease filter:

Commercial style baffle filters AISI304 with oil collector

### Material:

Stainless steel AISI304

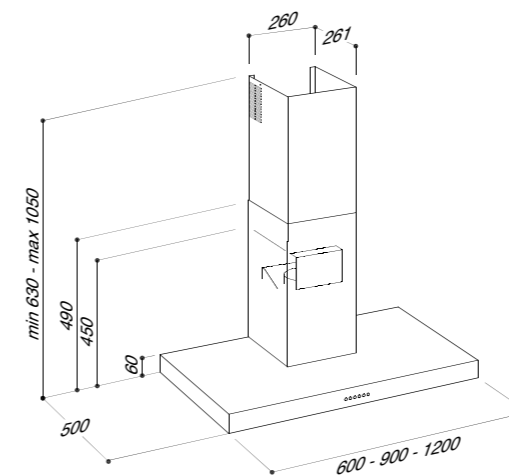
### Finishing:

Stainless steel



**Upper and lower chimneys to be purchased separately**

## SL 31



product	dim.	motor	model identifier	EEC
SL 31	600	on-board	P031060PB1284937 A	
SL 31	900	on-board	P031090PB1280637 A	
SL 31	1200	on-board	P031120PB1280637 A	

### Motor:

motor on board

### Lighting:

2x2,1W Led spotlight

### Control panel:

Chromed 4 speeds push-button+light switch+timer

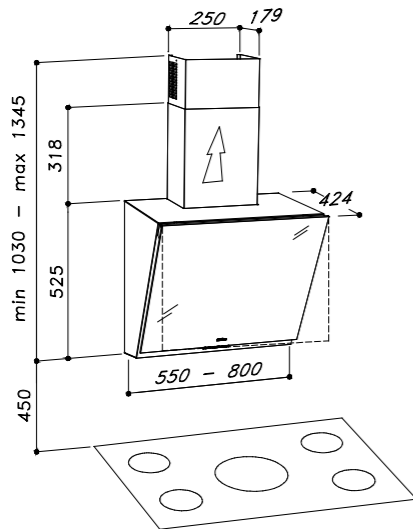
### Grease Filter:

Anodized aluminum (5+1 layers)

### Material:

Stainless Steel AISI430

## SL 89



**Motor on board**

**Lighting:**  
2x2,1W Led spotlight

**Control Panel:**  
Chromed 4 speeds push-button+light switch+timer

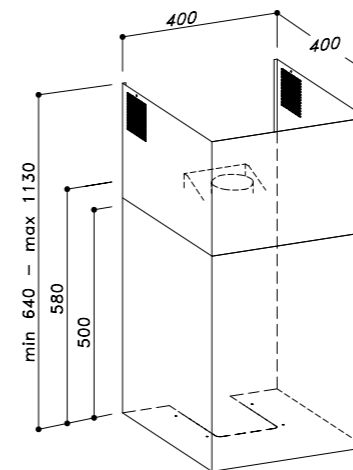
**Grease filter:**  
Anodized aluminum (5+1 layers)

**Material:**  
Stainless steel AISI430 and glass

**Finishing:**  
Black glass

product	dim.	motor	model identifier	EEC
SL89	550	on-board	P089055PB1280542	A
SL89	800	on-board	P089080PB1280542	A

## MO 207



**Motor on board**

**Lighting:**  
Led spot 4W 5000°K

**Control Panel:**  
Remote Control

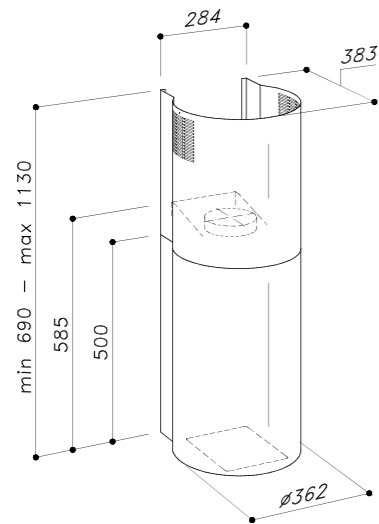
**Grease filter:**  
Anodized aluminum (5+1 layers)

**Material:**  
Stainless steel AISI304

product	dim.	motor	model identifier	EEC
MO207		on-board	P207040RC1282604	A



## MO 208



**Motor on board**

**Lighting:**

Led spot 4W 5000°K

**Control Panel:**

Remote Control

**Grease filter:**

Anodized aluminum (5+1 layers)

**Material:**

Stainless steel AISI304

product	dim.	motor	model identifier	EEC
MO208		on-board	P208036RC1282604	A



BUILT-IN PRODUCTS

## WING SLTC 919

### Motor on board:

Top or back vented

### Lighting:

1x6W Dimmable and dynamic Led bar (2700 to 6500°) (SLTC919 85cm version)

1x3,75W Dimmable and dynamic Led bar (2700 to 6500°K) (SLTC919 52cm version)

### Control Panel:

Touch control 4 speeds+light switch+timer

### Grease filter:

Anodized aluminum (5+1 layers)

### Material:

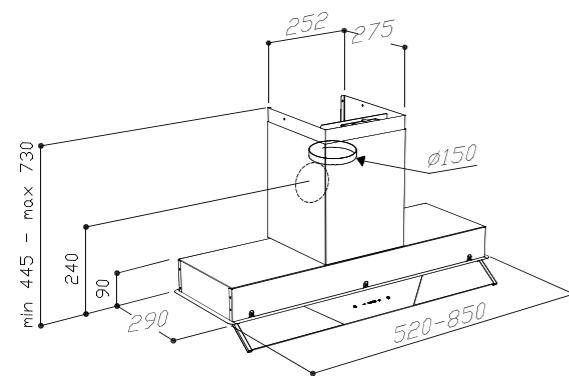
Stainless steel AISI430 and glass

### Installation:

Cut Out:

Create a niche in the cabinet for 498x265mm (52cm version)

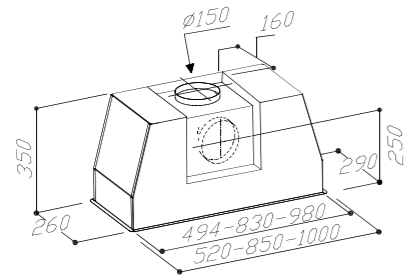
828x265mm (85cm version)



product	dim.	motor	model identifier	EEC
SLTC 919 520	on-board	G919T52TC	1284466	A
SLTC 919 850	on-board	G919T85TC	1284567	A



### SL 906-L



product	dim.	motor	model identifier	EEC
SL 906-L	520	on-board	G906052PB1284052 A	
SL 906-L	850	on-board	G906085PB1284153 A	
SL 906-L	1000	on-board	G906100PB1282749 A	

**Motor on board:**

Top or back vented

**Lighting:**

1x3,75W Dimmable and dynamic Led bar (2700 to 6500°K) (52 cm version)

1x6W Dimmable and dynamic Led bar (2700 to 6500°K) (85 version)

2x3,75W Dimmable and dynamic Led bars (2700 to 6500°K) (100cm version)

**Control Panel:**

Chromed 4 speeds push-button+light switch+timer

**Grease filter:**

Commercial style baffle filters AISI304 with oil collector

**Material:**

Stainless steel AISI430

**Installation:**

Cut Out:

Create a niche in the cabinet for

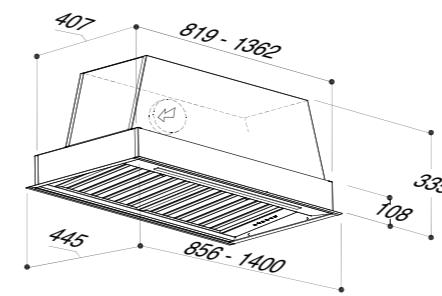
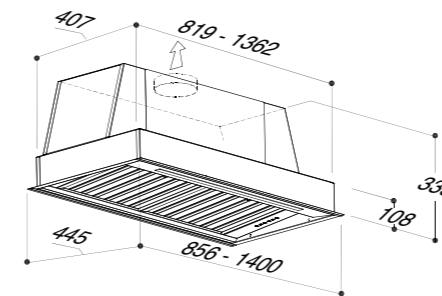
498x265mm (52cm version)

835x265mm (85cm version)

985x265mm (100cm version)



### SL 909



product	dim.	motor	model identifier	EEC
SL 909	856	on-board	G909086PB1284148 A	
SL 909	1400	on-board	G909140PB1284048 A+	

**Motor on board:**

Top or back vented

**Lighting:**

1X6W Dimmable and dynamic Led bar (2700 to 6500°K) (85cm version)

2X3,75W Dimmable and dynamic Led bar (2700 to 6500°K) (140cm version)

**Control Panel:**

Chromed 4 speeds push-button+light switch+timer

**Grease filter:**

Commercial style baffle filters AISI304 with oil collector

**Material:**

Stainless steel AISI430

**Installation:**

Cut Out:

Create a niche in the cabinet for

825x410mm (SL 909 85cm version)

1365x410mm (SL 909 140cm version)



## SLTC 928



### Motor on board:

Top or back vented

### Lighting:

1x3,75W Dimmable and dynamic Led bar (2700 to 6500°K) (60 cm version)

1x6W Dimmable and dynamic Led bar (2700 to 6500°K) (90cm version)

2x3,75W Dimmable and dynamic Led bar (2700 to 6500°K) (120cm version)

2x3,75W Dimmable and dynamic Led bar (2700 to 6500°K) (120cm version)

2x3,75W Dimmable and dynamic Led bar (2700 to 6500°K) (120cm version)

2x3,75W Dimmable and dynamic Led bar (2700 to 6500°K) (120cm version)

### Control Panel:

Touch control 4 speeds+light

switch+timer

### Grease filter:

Anodized aluminium (5+1layers)

### Material:

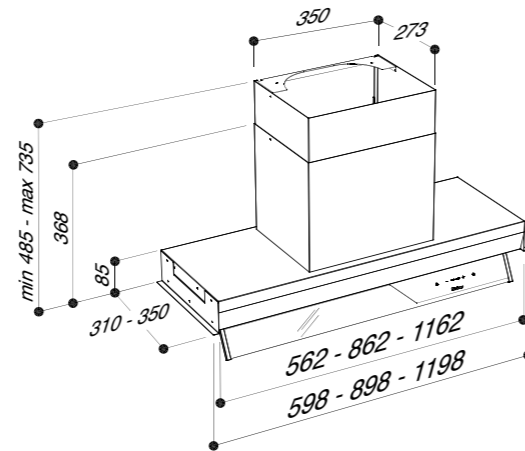
Stainless steel AISI430

### Easy installation:

No need to cut out

Directly installed in the cabinet

through guides



product	dim.	motor	model identifier	EEC
SLTC 928	600	on-board	G928060TC1014066	A
SLTC 928	900	on-board	G928090TC1014084	A
SLTC 928	1200	on-board	G928120TC1014166	A



## SM 927

**Motor:**

on board

**Lighting:**

1x6,5W Led strip (SM927 52cm version)

1x10,5W Led strip (SM927 85cm version)

**Control Panel:**

4 speeds push-button+light switch

**Grease filter:**

Anodized aluminum (5+1 layers)

**Material:**

Painted stainless steel and glass panel

**Finishing:**

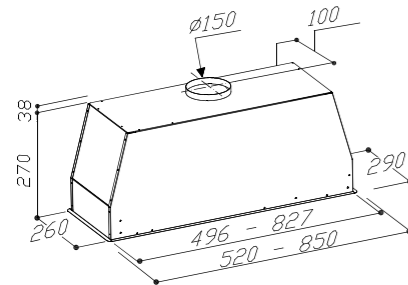
Black / White

**Installation:**

Cut Out:

Create a niche in the cabinet for  
505x270mm (SM927 52cm version)

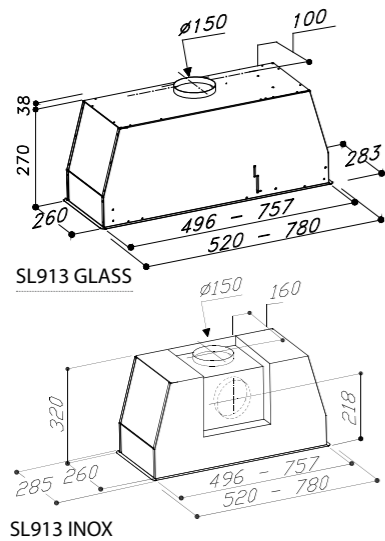
835x270mm (SM927 85cm version)



product	dim.	motor	model identifier	EEC
SM927	520	on-board	G927052PB1013527	B
SM927	850	on-board	G927085PB1013527	B



SL 913



**Motor on board**

**Lighting:**

1x3,75W Dimmable and dynamic Led bar (2700 to 6500°K) (52 cm version)  
 1x6W Dimmable and dynamic Led bar (2700 to 6500°K) (78 cm version)

**Control Panel:**

Chromed 4 speeds push-button+light switch+timer

**Grease filter:**

Anodized aluminum (5+1 layers)

**Material:**

Stainless steel  
 Glass

**Finishing:**

White painted and white glass panel (SL913 glass version)  
 Stainless steel (SL913 inox version)

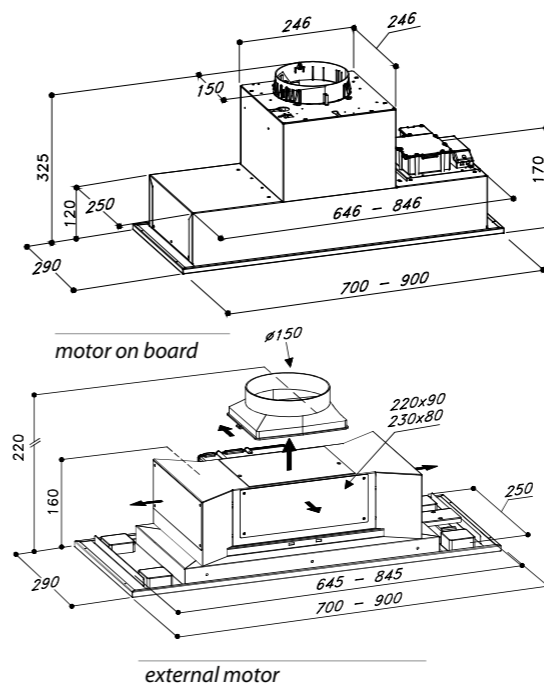
**Installation:**

**Cut Out:**  
 Create a niche in the cabinet for  
 502x265mm (SL913 52cm version)  
 764x265mm (SL913 78cm version)

product	dim.	motor	model identifier	EEC
SL 913	520	on-board	G913052PB1284427	A
SL 913	780	on-board	G913078PB1284527	A



SL 903-P



**Motor:**

motor on board or external motor version (to be purchased separately)

**Lighting:**

4x2,1W Led spotlight

**Control Panel:**

Chromed 4 speeds push-button+light switch+timer

**Grease filter:**

Anodized aluminum (5+1 layers)

**Material:**

Stainless steel AISI430

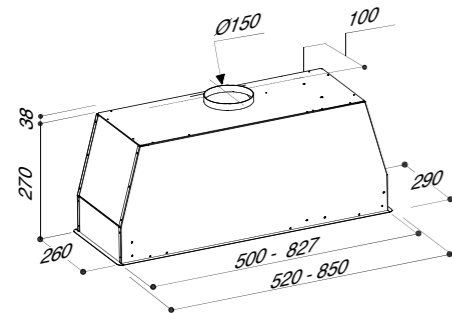
**Installation:**

**Cut Out:**  
 Create a niche in the cabinet for  
 649x255mm (SL903 70cm version)  
 849x255mm (SL903 90cm version)

product	dim.	motor	model identifier	EEC
SL 903-P	700	on-board	G903070PB1280541	A
SL 903-P-EM	700	SEM1	G903070PB1290541	B
SL 903-P-EM	700	SEM2	G903070PB1150541	C
SL 903-P	900	on-board	G903090PB1280541	A
SL 903-P-EM	900	SEM1	G903090PB1290541	B
SL 903-P-EM	900	SEM2	G903090PB1150541	C



**SM 923-L**

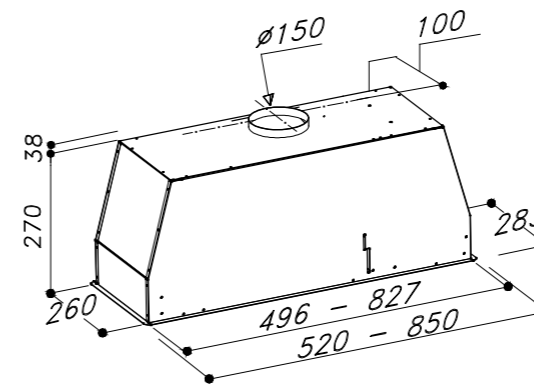


**Motor:**  
on board  
**Lighting:**  
Led strip 1x6,5W (SM923 52cm version)  
Led strip 1x10,5W (SM923 85cm version)  
**Control Panel:**  
4 speeds push-button+light switch+timer  
**Grease filter:**  
Anodized aluminum (5+1 layers)  
**Material:**  
Stainless steel AISI430  
**Installation:**  
Cut Out:  
Create a niche in the cabinet for  
270x505mm (SM923 52cm version)  
270x835mm (SM923 85cm version)

product	dim.	motor	model identifier	EEC
SM923-L	520	on-board	G923052PB1013580	A
SM923-L	850	on-board	G923085PB1013382	A



**SM 905**



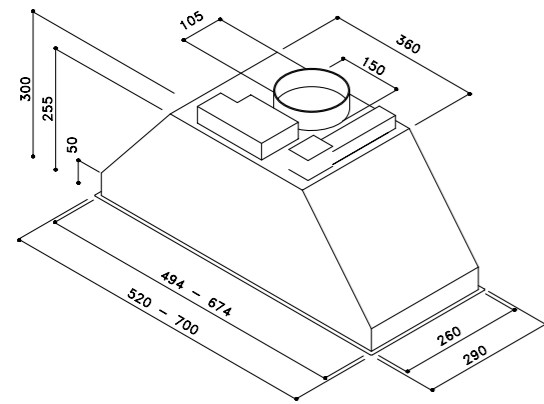
**Motor on board**  
**Lighting:**  
2x2,1W Led spotlight  
**Control Panel:**  
3 speeds push-button+light switch  
**Grease filter:**  
Anodized aluminum (4+1 layers)  
**Material:**  
Stainless steel AISI430  
**Installation:**  
Cut Out:  
Create a niche in the cabinet for  
265x502mm (SM905 52cm version)  
265x834mm (SM905 85cm version)

product	dim.	motor	model identifier	EEC
SM 905	520	on-board	G905052PB1010624	B
SM 905	850	on-board	G905085PB1010624	B





SL - SM 900



**Motor on board**

**Lighting:**  
2x2,1W Led spotlight

**Control Panel:**  
Chromed 4 speeds push-button+light switch+timer (SL version)

4 speed push-button+light switch+timer (SM version)

**Grease filter:**  
Anodized aluminum (5+1 layers)

**Material:**  
Stainless steel AISI430

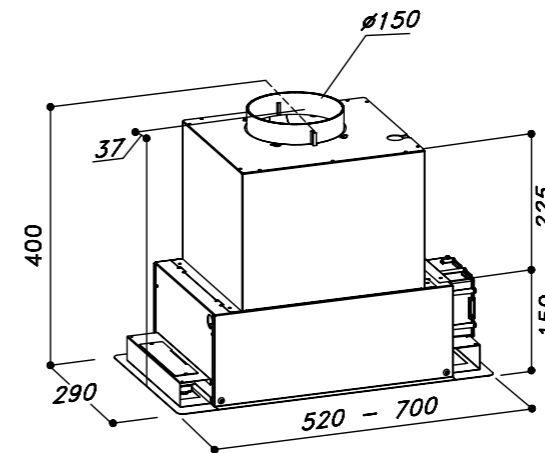
**Installation:**

**Cut Out:**  
Create a niche in the cabinet for 495x272mm (SL900 52cm version)  
675x272mm (SL900 70cm version)

product	dim.	motor	model identifier	EEC
SM 900	520	on-board	G900052PB1010657	B
SM 900	700	on-board	G900070PB1010657	B
SL 900	520	on-board	G900052PB1280657	A
SL 900	700	on-board	G900070PB1280657	A



SL 907



**Motor on board**

**Lighting:**  
Led panel 1x4W (SL907 52cm version)

Led panel 1x11W (SL907 70cm version)

**Control Panel:**  
Chromed 4 speeds push-button+light switch+timer

**Grease filter:**  
Anodized aluminum (5+1 layers)

**Material:**  
Stainless steel AISI430

**Installation:**

**Cut Out:**  
Create a niche in the cabinet for 270x498mm (SL907 52cm version)  
270x675mm (SL907 70cm version)

product	dim.	motor	model identifier	EEC
SL 907	520	on-board	G907052PB1285559	A
SL 907	700	on-board	G907070PB1285646	A



VENTED INDUCTION HOBS



## SYNTHESIS SDDH6



### Motor on board (Brushless)

### Product Operation

Touch control 4 speeds + timer

### Material

Black ceramic glass

Black painted metallic grill

### Hob Specifications

Induction G5

Automatic heat-up function

Safety Lock

Timer function

Over-heating operation

"Keep Warm" function

Pause and recall function

Bridge function

Touch controls

Booster function on all zones

Cooking output

4 zones 184x220mm 2100W; Power

3700W

Max power 7,4 kW

Electric rating 220-240V (50/60 Hz)

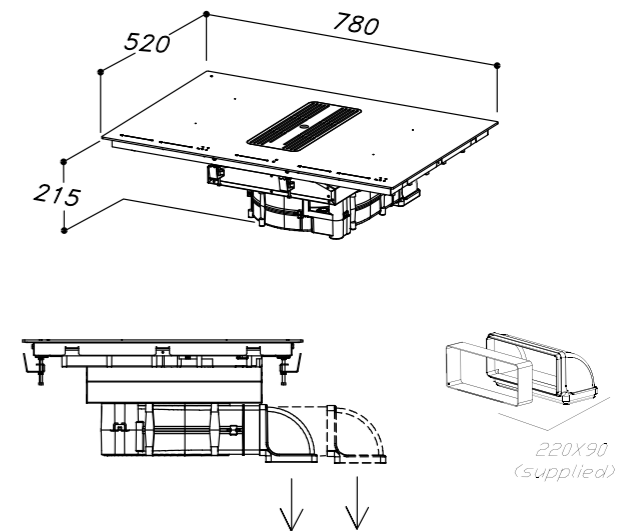
**Filtering Kit** (see page 172)

### Cut out:

Create a niche in the countertop

using the following dimensions:

750x490mm



product  
SDDH6 BRH

motor  
on board

model identifier  
D006078TC135XX79

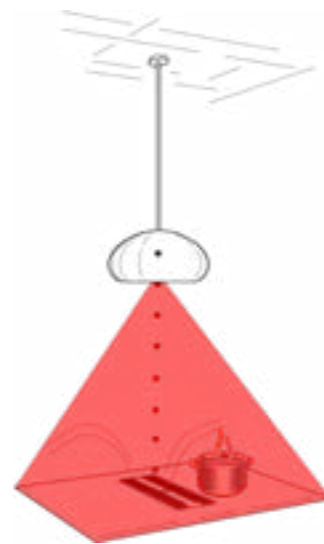
EEC  
A+

## SENSE



**Lighting**  
1x1,4W Dimmable and dynamic  
Led spot (2700K to 6500K)  
**Material**  
Ceramic  
**Finishing**  
Ceramic Shell: Handmade  
ceramic black or white matt  
painted

Inside the ceramic lamp SENSE, the technological system patented by Sirius. This can match the Synthesis vented induction hob, assuring both a proper lighting and the maximum energy comfort. The sensors and electronically advanced devices detect air quality and the temperature produced while cooking, automatically activating the suction of the vented induction hob.

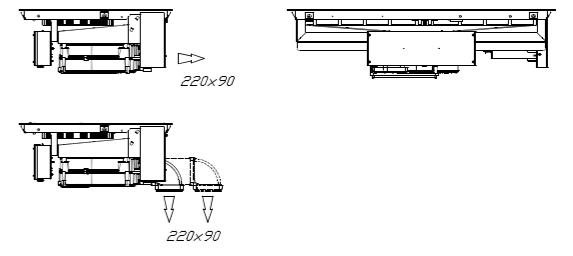
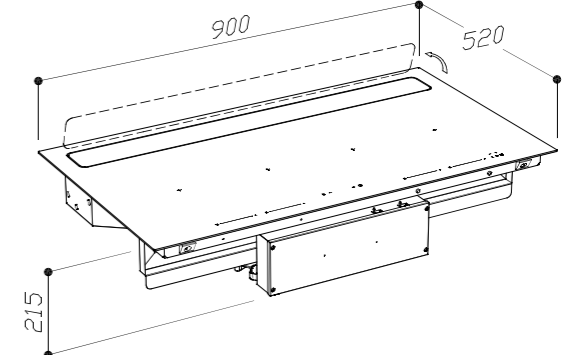




**SHADOW SDDH5**



**Motor:**  
 Motor on board (Brushless)  
**Control panel:**  
 Touch control 4 speeds+timer integrated on the induction hob  
**Filter:**  
 Anodized aluminum  
**Hob Specifications**  
 Induction G5  
 Automatic heat-up function  
 Safety Lock  
 Timer function  
 Over-heating operation  
 "Keep Warm" function  
 Pause and recall function  
 Bridge function  
 Touch controls  
 Booster function on all zones  
 Cooking output  
 4 zones 184x220mm 2100W; Power 3700W  
 Max power 7,4 kW  
 Electric rating 220-240V (50/60 Hz)  
**Filtering Kit** (see page 173)  
**Cut out:**  
 Create a niche in the countertop using the following dimensions:  
 860x490mm



product	motor	model identifier	EEC
SDDH5 BRH	on board	D005090TC135XXXX	A+

## SDDH 1



### Motor:

motor on board or external motor version (to be purchased separately)

### Lighting:

1x5 W LED strip

### Control panel:

Touch Control 4 speeds+light switch+timer integrated on the Induction Hob

### Filter:

anodized aluminum (4+1 layers)

### Material:

Stainless steel

### Hob Specifications

Induction G5

Beveled edges black glass

Automatic heat-up function

Safety Lock

Timer function

Over-heating operation

"Keep Warm" function

Pause and recall function

Bridge function

Touch controls

Booster function on all zones

Cooking output

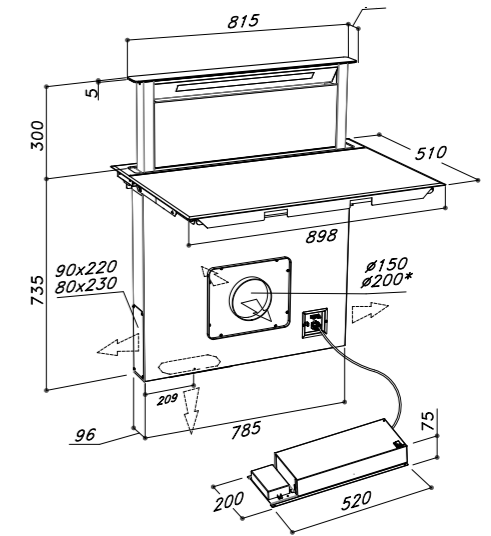
4 zones 184x220mm 2100W; Power 3700W

Max power 7,4 kW

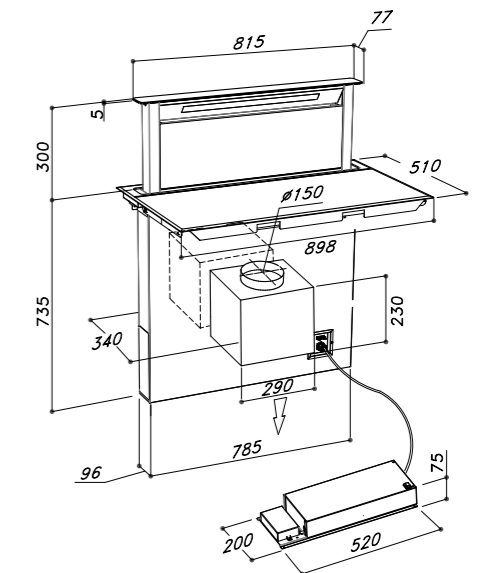
Electric rating 220-240V (50/60 Hz)

### Cut out:

Create a niche in the countertop using the following dimensions: 860x490mm



External Motor

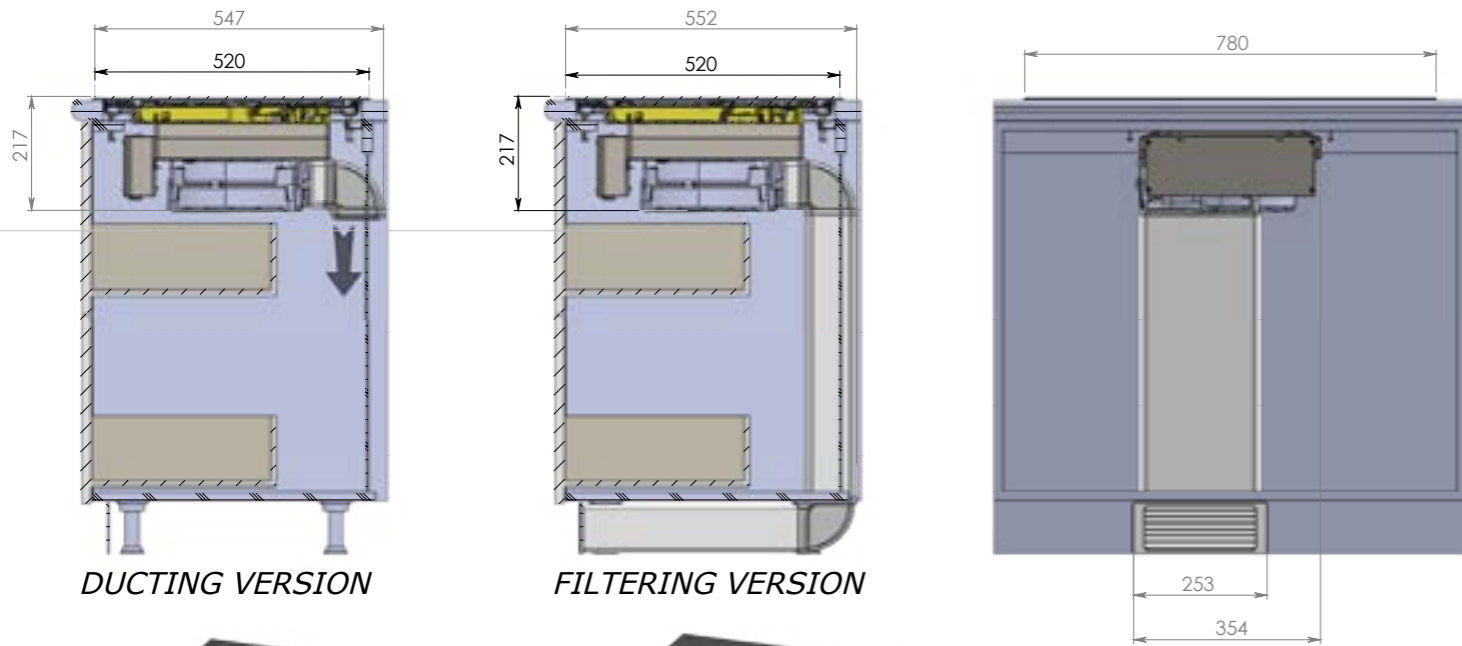


Motor on board

product	dim.	motor	model identifier	EEC
S-DDH1	900x510	on board	D009088TC1292415	A
S-DDH1 EM	900x510	SEM1	D009088TC1142415	B
S-DDH1 EM	900x510	SEM 2	D009088TC1152415	C
S-DDH1 EM	900x510	SEM 8	D009088TC1172415	C
S-DDH1 EM	900x510	SEM 10	D009088PB1302415	C
S-DDH1 EM	900x510	SEM 12	D002088PB1312415	A

# INSTALLATION SCHEMES

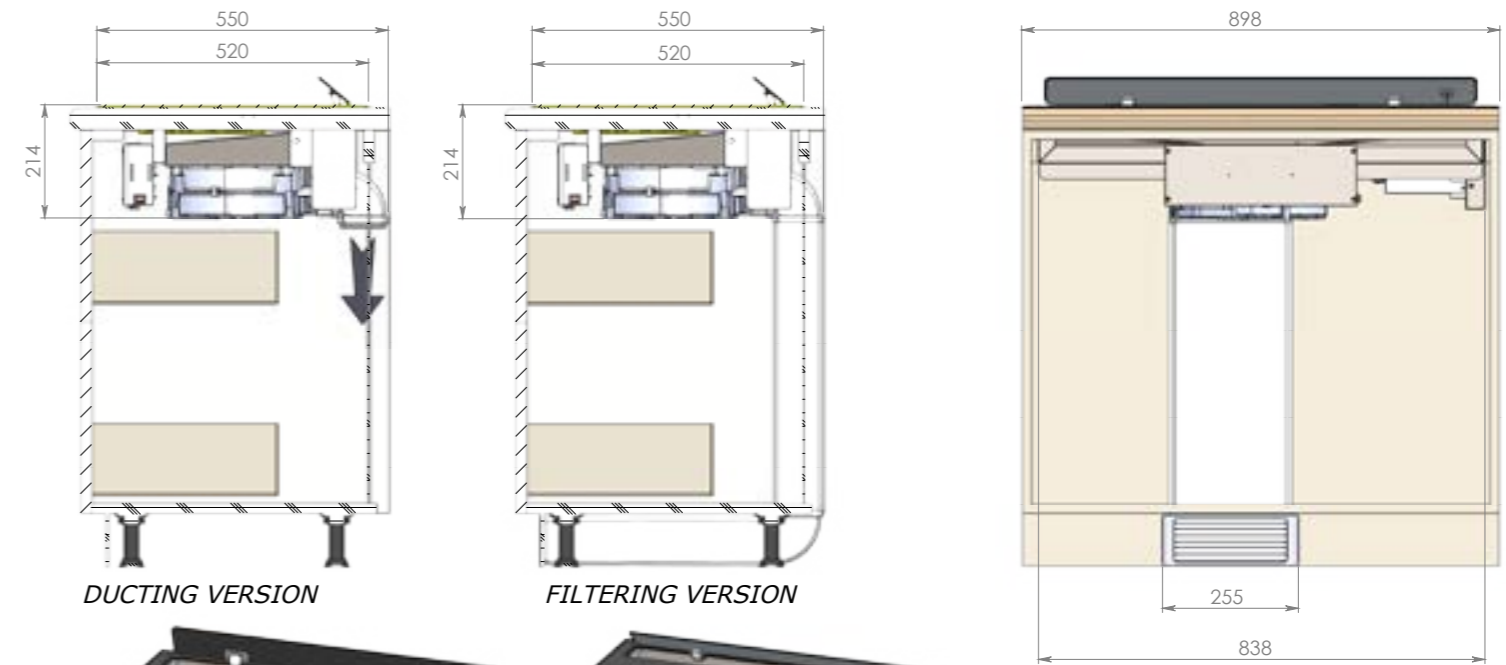
## SYNTHESIS SDDH 6



DUCTING VERSION

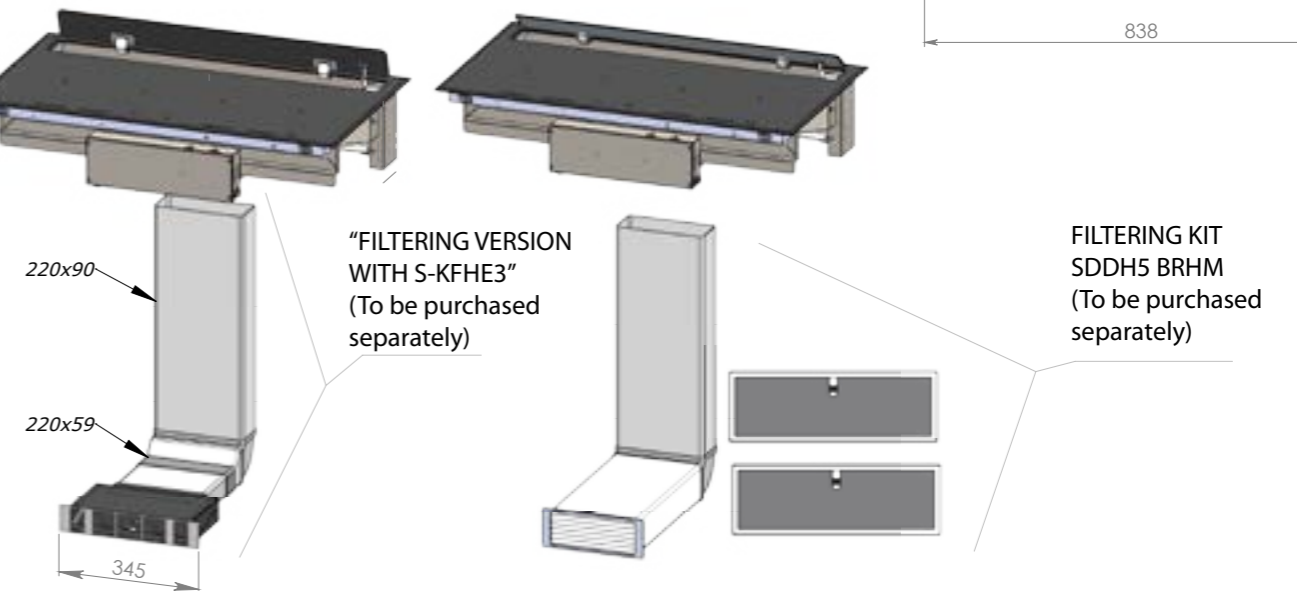
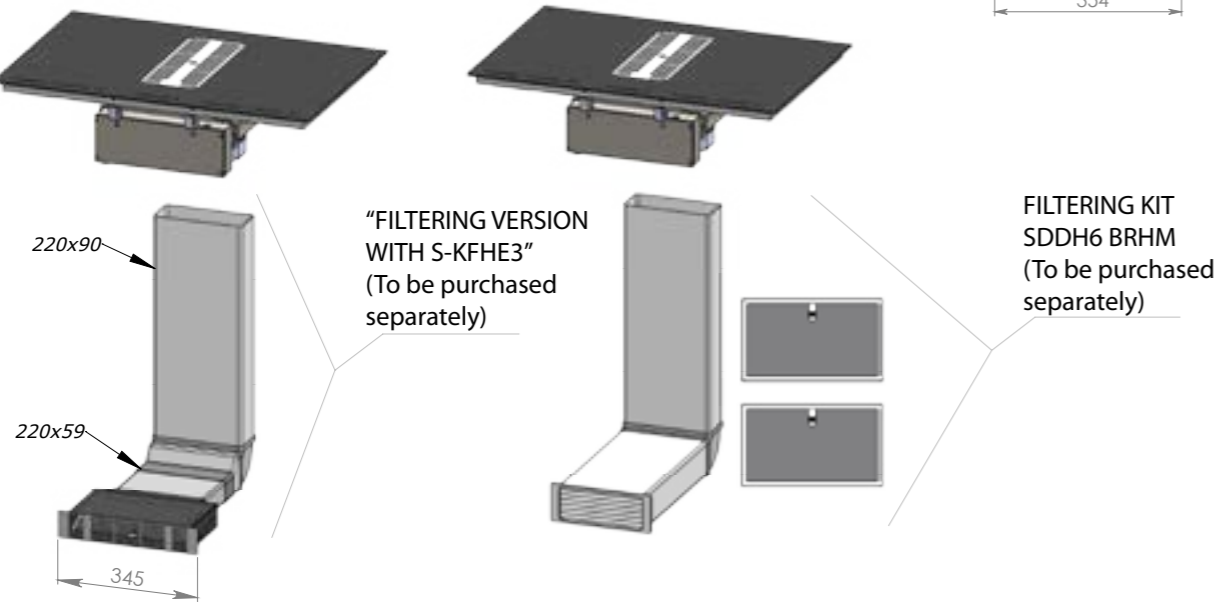
FILTERING VERSION

## SHADOW SDDH 5

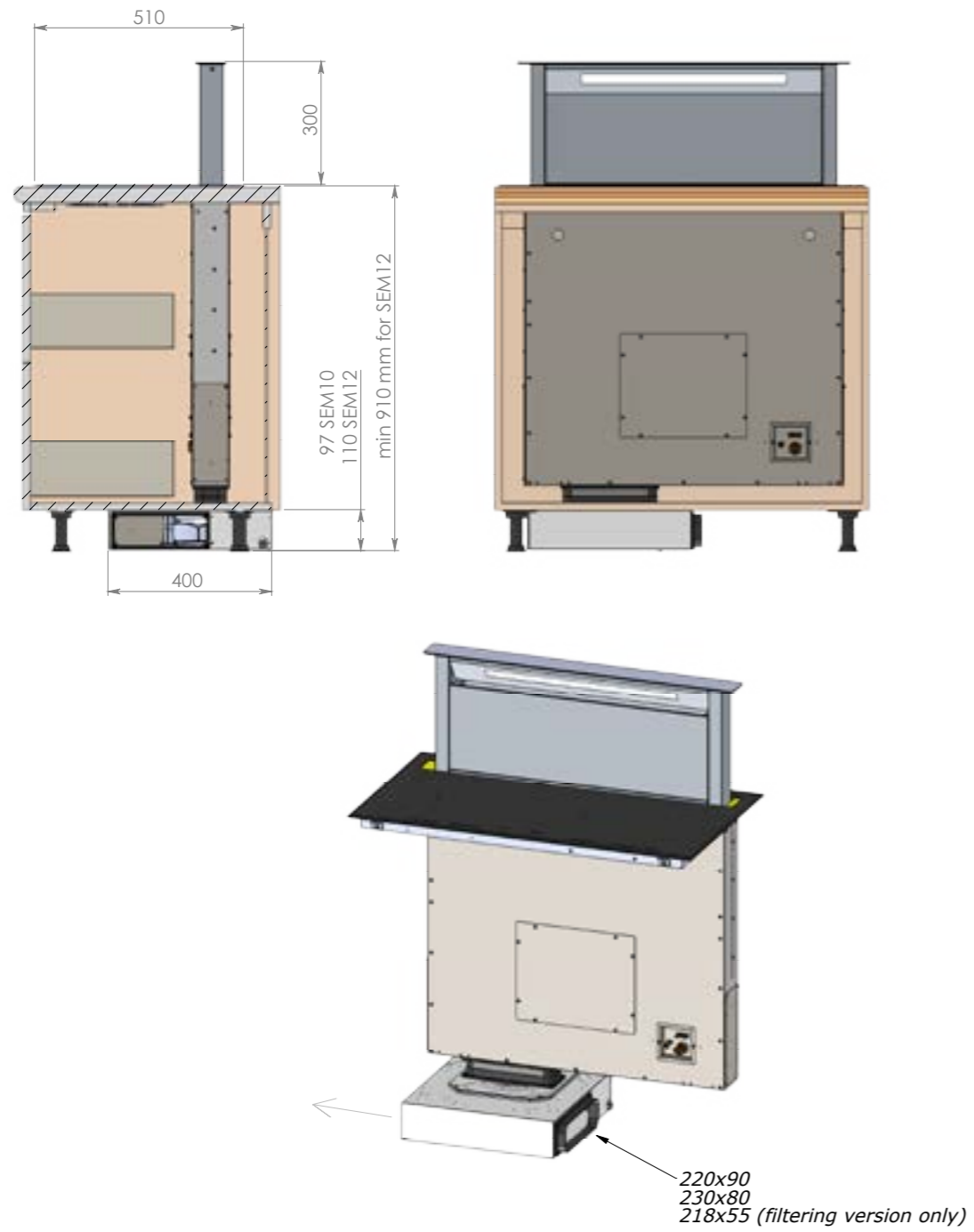


DUCTING VERSION

FILTERING VERSION



# SDDH 1 + SEM 10 / SEM 12





# REMOTE MOTORS

**SEM1**  
air inlet:  
Ø 150mm

**SEM2**  
air inlet:  
Ø 150mm

**SEM8**  
air inlet:  
Ø 200/150mm

**SEM9**  
air inlet:  
Ø 150mm  
BRH: Brushless motor

min 810 – max 1400

**SEM5**  
air inlet:  
Ø 150mm

**SEM7**  
air inlet:  
Ø 200/150mm  
BRH: Brushless motor

**SEM10**

50  
305 330  
220x90  
230x80

8  
97  
400 400  
230x80  
220x90  
218x55

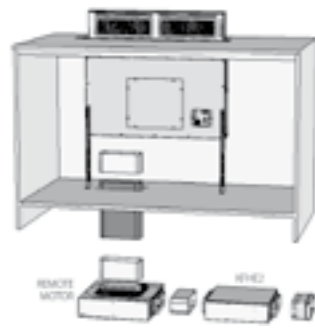
\* filtering version

**SEM12**  
BRH: Brushless motor

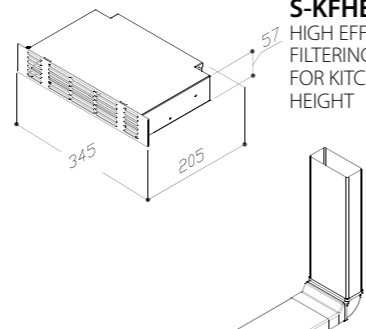
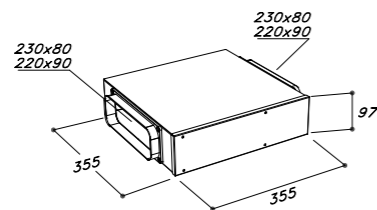
50  
305 330  
220x90  
230x80

8  
110  
400 400  
230x80  
220x90  
218x55

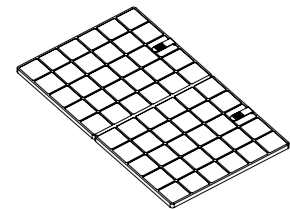
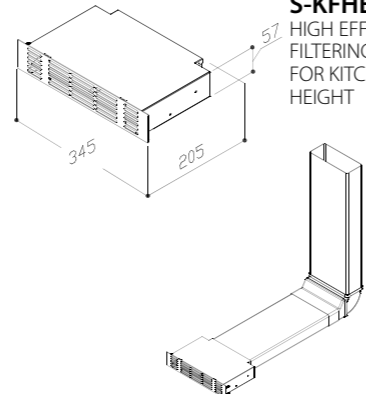
\* filtering version



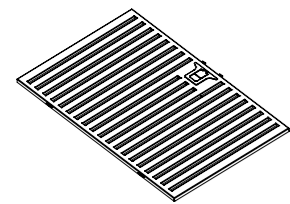
**S-KFHE2**  
HIGH EFFICIENCY  
FILTERING KIT  
FOR KITCHEN PLINT MIN. 100mm HEIGHT



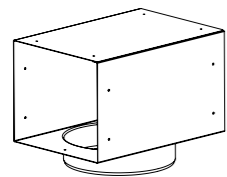
**S-KFHE3**  
HIGH EFFICIENCY  
FILTERING KIT  
FOR KITCHEN PLINT MIN. 60mm HEIGHT



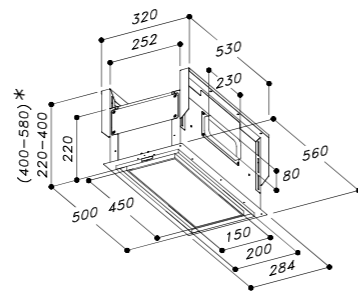
**KF**  
Charcoal filters for  
use with df when  
recirculating



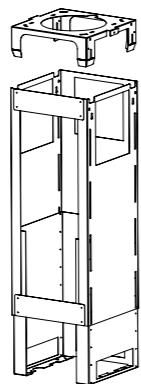
**LBR**  
Stainless steel  
baffle filter-  
optional upgrade



**DF**  
(AIR DEVIATOR FOR  
USE WITH KF WHEN  
RECIRCULATING)



**S-DF2\*\***  
AIR DEVIATOR FOR USE  
WITH CEILING HOODS  
WHEN RECIRCULATING  
BUILT-IN VERSION  
The air deviator needs  
to be installed at a  
minimum distance of  
1500mm from the  
extractor



**ISLAND  
FIXING  
SYSTEM  
PATENTED**



**REMOTE  
CONTROL**  
(optional)

\* Optional bracket kit  
\*\*Cut out: create a niche of 502mm x 202mm  
whose minimum height to be reached is 220mm.

**ENERGY LABEL DATA**

DOWNDRAFT				Energy efficiency Class	Annual Energy Consumption	Fluid Dynamic Efficiency	Light Efficiency Class	Grease Filtering Efficiency Class	Weighted Sound Power Emission at maximum speed	Air Flow at intensive / boost setting	Lighting
Product name	Dimension	Motor	Model Identifier	EEL	AEhood	FDE	LE	GFE	dB(A)	Qmax	W
S002 - L EM 580 X (J20)	580	on-board	D002058P81280136	B	50,6	A	A	E	69	636	100,5
S002 - L EM 580 X (J20)	580	SEM1	D002058P81290136	B	49,4	B	A	E	66	595	100,5
S002 - L EM 580 X (J20)	580	SEM2	D002058P81350136	C	87,8	C	A	E	68	577	100,5
S002 - L EM 580 X (J20)	580	SEM8	D002058P81370136	C	105,8	C	A	E	70	622	100,5
S002 - L EM 580 X (J20)	580	SEM10	D002058P81300136	C	57	C	A	E	67	478	100,5
S002 - L 880 (J20) X	875	on-board	D002088P81282425	A	44,5	A	A	E	68	757	145
S002-EM-L 880 (J20) X	875	SEM1	D002088P81292425	B	54,5	A	A	E	59	682	145
S002-EM-L 880 (J20) X	875	SEM2	D002088P81352425	C	82,9	C	A	E	62	711	145
S002-EM-L 880 (J20) X	875	SEM7 #150	D002088P81362425	A+	108,2	A	A	F	72	1542	145
S002-EM-L 880 (J20) X	875	SEM7 #200	D002088P81362425	A+	112,9	A	A	F	74	1328	145
S002-EM-L 880 (J20) X	875	SEM8	D002088P81372425	C	102,6	B	A	F	64	753	145
S002-EM-L 880 (J20) X	875	SEM10	D002088P81302425	C	54,3	C	A	E	61	530	145
S002-EM-L 880 (J20) X	875	SEM12	D002088P81312425	A	59	A	A	E	68	668	145
S002-L 1300 (J20) X	1175	on-board	D002138P81282717	A	51,9	A	A	E	68	791	100
S002-L EM 1300 (J20) X	1175	SEM1	D002138P81292717	A	49,9	A	A	E	55	736	100
S002-L EM 1300 (J20) X	1175	SEM2	D002138P81352717	C	90,7	B	A	E	57	738	100
S002-L EM 1300 (J20) X	1175	SEM8	D002138P81372717	B	98,5	B	A	F	60	807	100
S002-L EM 1300 (J20) X	1175	SEM10	D002138P81302717	C	58,3	C	A	E	59	559	100
S002 - L EM 580 YC (J20)	580	on-board	D002058P81280136	B	50,6	A	A	E	69	636	100,5
S002 - L EM 580 YC (J20)	580	SEM1	D002058P81290136	B	49,4	B	A	E	66	595	100,5
S002 - L EM 580 YC (J20)	580	SEM2	D002058P81350136	C	87,8	C	A	E	68	577	100,5
S002 - L EM 580 YC (J20)	580	SEM8	D002058P81370136	C	105,8	C	A	E	70	622	100,5
S002 - L EM 580 YC (J20)	580	SEM10	D002058P81300136	C	57	C	A	E	67	478	100,5
S002 - L 880 (J20) YC	875	on-board	D002088P81282425	A	44,5	A	A	E	68	757	145
S002-EM-L 880 (J20) YC	875	SEM1	D002088P81292425	B	54,5	A	A	E	59	682	145
S002-EM-L 880 (J20) YC	875	SEM2	D002088P81352425	C	82,9	C	A	E	62	711	145
S002-EM-L 880 (J20) YC	875	SEM7 #150	D002088P81362425	A+	108,2	A	A	F	72	1542	145
S002-EM-L 880 (J20) YC	875	SEM7 #200	D002088P81362425	A+	112,9	A	A	F	74	1328	145
S002-EM-L 880 (J20) YC	875	SEM8	D002088P81372425	C	102,6	B	A	F	64	753	145
S002-EM-L 880 (J20) YC	875	SEM10	D002088P81302425	C	54,3	C	A	E	61	530	145
S002-EM-L 880 (J20) YC	875	SEM12	D002088P81312425	A	59	A	A	E	68	668	145
S002-L 1300 (J20) YC	1175	on-board	D002138P81282717	A	51,9	A	A	E	68	791	100
S002-L EM 1300 (J20) YC	1175	SEM1	D002138P81292717	A	49,9	A	A	E	55	736	100
S002-L EM 1300 (J20) YC	1175	SEM2	D002138P81352717	C	90,7	B	A	E	57	738	100
S002-L EM 1300 (J20) YC	1175	SEM8	D002138P81372717	B	98,5	B	A	F	60	807	100
S002-L EM 1300 (J20) YC	1175	SEM10	D002138P81302717	C	58,3	C	A	E	59	559	100
SYONE	835	on-board	D002088P81282425	A	44,5	A	A	E	68	757	145
SYONE EM	835	SEM1	D002088P81292425	B	54,5	A	A	E	59	682	145
SYONE EM	835	SEM2	D002088P81352425	C	82,9	C	A	E	62	711	145
SYONE EM	835	SEM8	D002088P81372425	C	102,6	B	A	F	64	753	145
SYONE EM	835	SEM10	D002088P81302425	C	54,3	C	A	E	61	530	145
SYONE EM	835	SEM12	D002088P81312425	A	59	A	A	E	68	668	145
SYONE	1135	on-board	D002138P81282717	A	51,9	A	A	E	68	791	100
SYONE EM	1135	SEM1	D002138P81292717	A	49,9	A	A	E	55	736	100
SYONE EM	1135	SEM2	D002138P81352717	C	90,7	B	A	E	57	738	100
SYONE EM	1135	SEM8	D002138P81372717	B	98,5	B	A	F	60	807	100
SYONE EM	1135	SEM10	D002138P81302717	C	58,3	C	A	E	59	559	100
S-0011 X	850	on-board	D011888P81282219	B	59,6	B	F	E	68	481	2x3,9
S-0011 EM X	850	SEM1	D011888P81292219	B	55,4	B	F	E	59	633	2x3,9
S-0011 EM X	850	SEM2	D011888P81352219	C	80,2	C	F	E	62	639	2x3,9
S-0011 EM X	850	SEM10	D011888P81302219	C	57,9	C	F	E	70	478	2x3,9
S-0011 EM X	850	SEM12	D011888P81312219	C	79,7	C	F	E	71	576	2x3,9
S-0013	880	on-board	D013088P81283163	A	50,8	A	C	C	68	690	1x8,5
S-0013 EM	880	SEM1	D013088P81293163	A	48,7	A	C	C	59	660	1x8,5
S-0013 EM	880	SEM2	D013088P81353163	B	75,2	B	C	C	62	665	1x8,5
S-0013 EM	880	SEM8	D013088P81373163	C	109,4	C	C	C	64	775	1x8,5
S-0013 EM	880	SEM10	D013088P81303163	C	65,7	D	C	C	61	525	1x8,5
S-0016 EM	845	SEM1	D009488P81290063	A	47,5	B	n/a	C	66	800	n/a
S-0016 EM	845	SEM2	D009488P81350063	B	73,6	C	n/a	D	68	582	n/a
S-0016 EM	845	SEM10	D009488P81300063	B	52,1	C	n/a	C	70	484	n/a
S-0016 EM	845	SEM12	D009488P81310063	B	73,6	C	n/a	C	71	577	n/a
S-0018	880	on-board	D013088P81283472	A	50,7	A	A	E	67	730	145
S-0018 EM	880	SEM1	D013088P81293472	A	46,8	A	A	E	61	665	145
S-0018 EM	880	SEM2	D013088P81353472	C	81,6	C	A	E	63	682	145
S-0018 EM	880	SEM8	D013088P81373472	B	93,9	B	A	F	66	787	145
S-0018 EM	880	SEM10	D013088P81303472	B	51,7	C	A	E	65	575	145
S-0018 EM	880	SEM12	D013088P81313472	A	58,7	A	A	E	73	715	145
S-0020 INOX BRHM	120	on-board	D020052P81350074	A++	31,5	A	n/a	C	66	880	n/a
S-0020 GLASS BRHM	120	on-board	D020052P81350074	A++	31,5	A	n/a	C	66	880	n/a

CEILING				Energy efficiency Class	Annual Energy Consumption	Fluid Dynamic Efficiency	Light Efficiency Class	Grease Filtering Efficiency Class	Weighted Sound Power Emission at maximum	Air Flow at intensive / boost setting	Lighting
Product name	Dimension	Motor	Model Identifier	EEI	AEchood	FDE	LE	GFE	dB(A)	Qmax	W
SL7958 L200	440x900	on-board	C95809RC1144073	B	54,9	C	B	F	63	600	2x3,75
SL7958 L200 BRHM	440x900	on-board	C95809RC1174073	A++	26	A	B	B	71	730	2x3,75
SL7958 EM	440x900	SEMI	C95809RC1194037	B	58,1	B	B	F	55	670	2x3,75
SL7958 EM	440x900	SEMI	C95809RC1154037	B	68,4	A	B	F	58	790	2x3,75
SL7970	600x1200	on-board	C97120RC1143637	B	53,7	C	B	F	63	600	3x2,3
SL7970 BRHM	600x1200	on-board	C97120RC1173637	A++	26	A	B	B	71	730	3x2,3
SL7970 EM	600x1200	SEMI	C97120RC1193643	B	54,8	A	B	F	61	665	3x2,3
SL7970 EM	600x1200	SEMI	C97120RC1153643	C	84	C	B	F	65	693	3x2,3
SL7971	550x900	on-board	C97120RC1144143	B	52,6	C	A	F	63	600	1x8
SL7971 BRHM	550x900	on-board	C97120RC1174143	A++	24,9	A	A	B	71	730	1x8
SL7971 EM	550x900	SEMI	C97120RC1194143	B	53,7	A	A	F	61	665	1x8
SL7971 EM	550x900	SEMI	C97120RC1154143	C	82,9	C	A	F	65	693	1x8
SL7971	600x1200	on-board	C97120RC1144037	B	53,7	C	B	F	64	630	2x3,75
SL7971 BRHM	600x1200	on-board	C97120RC1174037	A++	26	A	B	B	71	730	2x3,75
SL7971 EM	600x1200	SEMI	C97120RC1194037	B	54,8	A	B	F	61	675	2x3,75
SL7971 EM	600x1200	SEMI	C97120RC1154037	C	84	C	B	F	65	703	2x3,75
SL7972 4v APP	550x900	on-board	C97209RA1143773	B	49,3	B	A	F	65	593	1x7
SL7972 BRHM APP	550x900	on-board	C97209RA1173773	A++	25,6	A	A	B	71	730	1x7
SL7972 EM APP	550x900	SEMI	C97209RA1193773	A	48,7	A	A	F	61	665	1x7
SL7972 EM APP	550x900	SEMI	C97209RA1153773	B	75,4	B	A	F	60	643	1x7
SL7973 4v APP	550x900	on-board	C97209RA1143833	B	53	B	E	F	62	540	1x10,5
SL7973 BRHM APP	550x900	on-board	C97209RA1173833	A+	30,1	A	E	B	67	700	1x10,5
SL7973 EM APP	550x900	SEMI	C97209RA1193833	A	51,7	A	E	F	69	652	1x10,5
SL7973 EM APP	550x900	SEMI	C97209RA1153833	C	82,1	C	E	F	70	630	1x10,5
SL7973 4v LIGHT APP	550x900	on-board	C97209RA1143933	B	53	B	E	F	62	540	1x10,5
SL7973 BRHM LIGHT APP	550x900	on-board	C97209RA1173933	A+	30,1	A	E	B	67	700	1x10,5
SL7973 EM LIGHT APP	550x900	SEMI	C97209RA1193933	A	51,7	A	E	F	69	652	1x10,5
SL7973 EM LIGHT APP	550x900	SEMI	C97209RA1153933	C	82,1	C	E	F	70	630	1x10,5
SL7974 4v APP	500x850	on-board	C97408RA1143773	B	49,3	B	A	F	65	593	1x7
SL7974 BRHM APP	500x850	on-board	C97408RA1173773	A++	25,6	A	A	B	71	730	1x7
SL7974 EM APP	500x850	SEMI	C97408RA1193773	A	48,7	A	A	F	61	665	1x7
SL7974 EM APP	500x850	SEMI	C97408RA1153773	B	75,4	B	A	F	60	643	1x7
SL7975 E.L.A. 4v	500x900	on-board	C97509RC1143573	B	54,9	C	A	F	63	600	2x3,75
SL7975 E.L.A. BRHM	500x900	on-board	C97509RC1173573	A++	26	A	A	B	71	730	2x3,75
SL7975 E.L.A. EM	500x900	SEMI	C97509RC1193573	B	58,1	B	A	F	61	665	2x3,75
SL7975 E.L.A. EM	500x900	SEMI	C97509RC1153573	B	75,7	B	A	F	65	643	2x3,75
SL7975 E.L.A. 4v	600x1200	on-board	C975120RC1144173	B	58,2	C	A	F	63	630	2x6
SL7975 E.L.A. BRHM	600x1200	on-board	C975120RC1174173	A++	26,3	A	A	B	71	730	2x6
SL7975 E.L.A. EM	600x1200	SEMI	C975120RC1194173	B	52,4	A	A	F	61	665	2x6
SL7975 E.L.A. EM	600x1200	SEMI	C975120RC1154173	B	79	B	A	F	60	643	2x6
SL7976 E.L.A. 4v APP	440x930	on-board	C97609RA1144681	B	51,9	B	A	E	64	580	2x1,4
SL7976 E.L.A. BRHM APP	440x930	on-board	C97609RA1174681	A++	26,1	A	A	B	66	735	2x1,4
SL7976 E.L.A. EM APP	440x930	SEMI	C97609RA1194681	A	47,8	A	A	E	68	685	2x1,4
SL7976 E.L.A. EM APP	440x930	SEMI	C97609RA1154681	B	76,4	C	A	E	70	700	2x1,4
SL7977 4v APP	440x930	on-board	C97709RA1145481	B	51,9	B	A	E	64	580	1x3
SL7977 BRHM APP	440x930	on-board	C97709RA1175481	A++	26,1	A	A	B	66	735	1x3
SL7977 EM APP	440x930	SEMI	C97709RA1195481	A	47,8	A	A	E	68	685	1x3
SL7977 EM APP	440x930	SEMI	C97709RA1155481	B	76,4	C	A	E	70	700	1x3
SL7978 4v APP	440x930	on-board	C97809RA1145281	B	57,3	B	D	E	64	580	1x10,5
SL7978 BRHM APP	440x930	on-board	C97809RA1175281	A+	34,6	A	D	B	66	735	1x10,5
SL7978 EM APP	440x930	SEMI	C97809RA1195281	A	53,3	A	D	E	68	685	1x10,5
SL7978 EM APP	440x930	SEMI	C97809RA1155281	C	84,8	C	D	E	70	700	1x10,5
SL7978 LIGHT 4v APP	440x930	on-board	C97809RA1145381	B	57,3	B	D	E	64	580	1x10,5
SL7978 LIGHT BRHM APP	440x930	on-board	C97809RA1175381	A+	34,6	A	D	B	66	735	1x10,5
SL7978 LIGHT EM APP	440x930	SEMI	C97809RA1195381	A	53,3	A	D	E	68	685	1x10,5
SL7978 LIGHT EM APP	440x930	SEMI	C97809RA1155381	C	84,8	C	D	E	70	700	1x10,5
SL7979 E.L.A. 4v APP	680x2080	on-board	C979128RA1144860	B	52,6	B	B	E	63	600	2x5
SL7979 E.L.A. BRHM APP	680x2080	on-board	C979128RA1174860	A+	35,5	A	B	B	71	735	2x5
SL7979 E.L.A. EM APP	680x2080	SEMI	C979128RA1194860	A	56,2	A	B	E	65	695	2x5
SL7979 E.L.A. EM APP	680x2080	SEMI	C979128RA1154860	B	79,6	B	B	E	71	754	2x5
SL7980 E.L.A. 4v	520x900	on-board	C98009RC1145181	B	57,3	B	D	E	64	580	1x10,5
SL7980 E.L.A. BRHM	520x900	on-board	C98009RC1175181	A+	34,8	A	D	B	66	745	1x10,5
SL7980 E.L.A. EM	520x900	SEMI	C98009RC1195181	A	53,3	A	D	E	68	685	1x10,5
SL7980 E.L.A. EM	520x900	SEMI	C98009RC1155181	C	84,8	C	D	E	70	700	1x10,5

DECORATIVE ISLANDS				Energy efficiency Class	Annual Energy Consumption	Fluid Dynamic Efficiency	Light Efficiency Class	Grease Filtering Efficiency Class	Weighted Sound Power Emission at maximum speed	Air Flow at intensive / boost setting	Lighting
Product name	Dimension	Motor	Model Identifier	EEI	AEchood	FDE	LE	GFE	dB(A)	Qmax	W
SL24 X	900	on-board	024090PB1184437	A	45,3	A	B	A	70	730	2x3,75
SL24 X	1200	on-board	024120PB1184437	A	45,3	A	B	A	70	730	2x3,75
SL24 YC	900	on-board	024090YC1184437	A	45,3	A	B	A	70	730	2x3,75
SL24 YC	1200	on-board	024120YC1184437	A	45,3	A	B	A	71	700	2x6
MS434		on-board	145409RC1182604	A	44,3	A	A	D	71	730	1x4
MS435		on-board	145540RC1182604	A	44,3	A	A	D	71	730	1x4

WALL HOODS				Energy efficiency Class	Annual Energy Consumption	Fluid Dynamic Efficiency	Light Efficiency Class	Grease Filtering Efficiency Class	Weighted Sound Power Emission at maximum speed	Air Flow at intensive / boost setting	Lighting
Product name	Dimension (mm)	Motor	Model Identifier	EEI	AEchood	FDE	LE	GFE	dB(A)	Qmax	W
SL 31	600	on-board	P011060PB1184937	A	42,3	A	A	A	72	730	2x2,1
SL 31	900	on-board	P011090PB1184937	A	44,6	A	A	A	72	730	2x2,1
SL 31	1200	on-board	P01120PB1184937	A	44,6	A	A	A	72	730	2x2,1
SL 89	550	on-board	P08905PB1180542	A	44,4	A	A	E	69	748	2x2,1
SL 89	800	on-board	P08908PB1180542	A	45,4	A	A	E	69	750	2x2,1
SL7C 90	550	on-board	P090055L1200113	A	46,0	A	B	C	69	748	1x6,5
SL7C 91	800	on-board	P091080L1200112	A	47,1	A	B	D	69	750	1x6,5
SL7C 92	900	on-board	P092090C1184037	A	45,3	A	B	A	72	730	2x3,75
SL 92	600	on-board	P092060PB1184037	A	45,3	A	B	A	72	730	2x3,75
SL 92	900	on-board	P092090PB1184037	A	45,3	A	B	A	72	730	2x3,75
SL7C 93	600	on-board	P093060C1184022	A	44,1	A	A	C	65	748	1x3,75
SL7C 93	800	on-board	P093080C1184022	A	45,1	A	A	C	69	750	1x3,75
SL7C 97	600	on-board	P097060C1184075	A	44,8	A	A	A	68	730	1x3,75
SL7C 97	900	on-board	P097090C1184002	A+	41,9	A	B	A	72	735	2x3,75
SL 107	900	on-board	F107090PB1180144	A+	39,5	A	B	A	67	782	2x3,75
SL7C 107	900	on-board	F107090C1184044	A+	39,5	A	B	A	67	782	2x3,75
SL 109	900	on-board	F109090PB1034044	A	52,2	A	A	A	63	750	2x3,75
SL 109	1200	2 Mot on-board	F109120PB1034045	B	139,8	B	A	A	75	1433	2x3,75
SL7C 111	800	on-board	F110807C1184422	A	48,0	A	A	C	64	630	1x3,75
SL7C 114	550	on-board	F1140557C1184422	A	48,0	A	A	C	64	630	1x3,75
SL7C 114	850	on-board	F1140857C1184422	A	48,0	A	A	C	64	630	1x3,75
SL7C 116	600	on-board	F116060PB1184422	A	48,0	A	A	C	64	630	1x3,75
SL7C 119	800	on-board	F119080C1184022	A	45,1	A	A	C	68	750	1x3,75
SL7C 120	900	on-board	F120090V1184404	A+	38,8	A	A	C	68	765	1x3,75
SL7C 121	900	on-board	F121090V1184457	A	40,1	A	A	C	68	675	1x3,75
MS207		on-board	F207040RC1182604	A	44,3	A	A	D	71	730	1x4
MS208		on-board	F20806RC1182604	A	44,3	A	A	D	71	730	1x4

BUILT-IN PRODUCTS				Energy efficiency Class	Annual Energy Consumption	Fluid Dynamic Efficiency	Light Efficiency Class	Grease Filtering Efficiency Class	Weighted Sound Power Emission at maximum speed	Air Flow at intensive / boost setting	Lighting
Product name	Dimension	Motor	Model Identifier	EEI	AEChood	FDE	LE	GFE	dB(A)	Qmax	W
SM 900	530	on-board	G900052PB0212657	B	58,1	B	A	B	70	604	2x2,1
SM 900	700	on-board	G900070PB0212657	B	54,9	B	A	B	70	654	2x2,1
SL 900	530	on-board	G900052PB128057	A	46,6	A	A	B	70	762	2x2,1
SL 900	700	on-board	G900070PB128057	A	46,9	A	A	B	70	775	2x2,1
SL 903-P	700	on-board	G903070PB1290541	A	55,2	A	A	B	69	700	4x2,1
SL 903-P-EM	700	SEMI	G903070PB1290541	B	58,1	B	A	B	65	630	4x2,1
SL 903-P-EM	700	SEMI	G903070PB150541	C	80,2	C	A	B	66	630	4x2,1
SL 903-P	900	on-board	G903090PB1280541	A	50,9	A	A	B	69	705	4x2,1
SL 903-P-EM	900	SEMI	G903090PB1290541	B	58,5	B	A	B	65	624	4x2,1
SL 903-P-EM	900	SEMI	G903090PB150541	C	81,1	C	A	B	66	632	4x2,1
SM 905	530	on-board	G905052PB0212624	B	58,1	B	A	B	70	604	2x2,1
SM 905	850	on-board	G905085PB0212624	B	54,9	B	A	B	70	654	2x2,1
SL 906	530	on-board	G906052PB1284052	A	44,5	A	A	A	71	680	1x1,75
SL 906	850	on-board	G906085PB1284153	A	45,7	A	A	A	71	743	1x6
SL 906	1000	on-board	G906100PB1282149	A	46,8	A	A	A	71	743	2x1,75
SL 907	530	on-board	G907052PB1285559	A	46,5	A	B	B	69	682	1x4
SL 907	700	on-board	G907070PB1285446	A	54,0	A	B	B	69	715	1x11
SL 909	856	on-board	G909086PB1284148	A	44,6	A	A	A	71	757	1x6
SL 909	1400	on-board	G909140PB1284048	A+	43,0	A	A	A	71	768	2x1,75
SL 911	530	on-board	G911052PB1284427	A	56,8	A	A	B	69	668	1x1,75
SL 911	780	on-board	G911078PB1284527	A	48,9	A	A	B	69	721	1x6
SLTC 918	530	on-board	G918152TC1284466	A	45,8	A	A	A	71	715	1x1,75
SLTC 918	850	on-board	G918185TC1284567	A	48,5	A	B	A	71	730	1x6
SM 923-L	530	on-board	G923052PB0213380	A	49,4	A	A	B	70	610	1x6,5
SM 923-L	850	on-board	G923085PB0213382	A	52,8	A	A	B	70	640	1x10,5
SM 927	530	on-board	G927052PB0213327	B	50,5	B	A	B	70	580	1x6,5
SM 927	850	on-board	G927085PB0213328	B	53,9	B	B	B	70	619	1x10,5
SLTC 928	600	on-board	G928060TC1014066	A	44,0	A	A	B	70	580	1x1,75
SLTC 928	900	on-board	G928090TC1014064	A	40,4	A	A	B	70	660	1x6
SLTC 928	1200	on-board	G928120TC1014066	A	42,0	A	A	B	70	660	2x1,75

VENTED INDUCTION HOBS				Energy efficiency Class	Annual Energy Consumption	Fluid Dynamic Efficiency	Light Efficiency Class	Grease Filtering Efficiency Class	Weighted Sound Power Emission at maximum speed	Air Flow at intensive / boost setting	Lighting
Product name	Dimension	Motor	Model Identifier	EEI	AEChood	FDE	LE	GFE	dB(A)	Qmax	W
S-DH1	900x510	on-board	D009088TC1282425	A	44,5	A	A	E	68	757	1x5
S-DH1	900x510	SEMI	D009088TC1282425	B	54,5	A	A	E	55	682	1x5
S-DH1	900x510	SEMI	D009088TC1152425	C	82,9	C	A	E	62	731	1x5
S-DH1	900x510	SEMI	D009088TC1172425	C	102,6	B	A	F	64	753	1x5
S-DH1	900x510	SEMI20	D009088TC1302425	C	54,3	C	A	E	61	530	1x5
S-DH1	900x510	SEMI2	D009088TC1312425	A	59	A	A	E	68	668	1x5
S-DH3 BHM	900x520	on-board	D005090TC135XXXX	A+	43,3	A	n/a	C	63	645	n/a
S-DH3 BHM	780x520	on-board	D006078TC135XXXX	A+	43,3	A	n/a	C	63	645	n/a

art direction  
**Giacomo Fava**

The printing process do not always permit  
a faithful reproduction of tones  
and materials of originals.

Sirius S.p.A. reserves the right to change,  
at any time and without prior warning,  
the technical specifications of any product  
illustrated in this catalogue.

This catalogue is of exclusive propriety  
of Sirius spa. All rights are reserved.  
Any form of total or partial reproduction  
of catalogue is strictly forbidden.

Security and respect of the general requirements  
of Directives are the basis for the realization  
of our products. It is a question of quality  
and security, well spread in our company.  
Together with the protection of environment,  
and the health of our employees. Working  
with us with passion, being respectful and  
taking care of our company is like living at home.

**SIRIUS S.p.a.**  
Zona Ind.le Berbentina 6/A  
60041 Sassoferrato (An)  
Tel. +39 0732.97171  
Fax. +39 0732.95493

[www.siriuscappe.com](http://www.siriuscappe.com)



JUNE 2022